

TONY'S DELI

1700 CITY PLAZA DR, #100
 SPRING, TX 77389
 HARRIS COUNTY

GENERAL CONTRACTOR:

SHAE BURLING
 ALLWEATHER COMPANIES, INC
 P: 832-808-9433
 E: SHAE@AWCTX.COM

FINISH SCHEDULE

WD-1	WHITE OAK - STAIN TBD
TL-1	GRAY (EXISTING)
TL-2	RED - SPECIFIC TILE # TBD
PT-1	RED - SPECIFIC PAINT # TBD

REVISIONS

REV #	REV. DATE	REVISED BY:	DESCRIPTION



DESIGN APPROVAL

APPROVED	
APPROVED AS NOTED	
REVISE RESUBMIT	
DESIGN/CONSTRUCTION SIGN ABOVE	DATE

DRAWN BY:



PROPRIETARY AND CONFIDENTIAL
 THE INFORMATION CONTAINED
 IN THIS DRAWING IS THE
 SOLE PROPERTY OF VITAL WAVE
 DESIGN CO. ANY
 REPRODUCTION IN PART
 OR A WHOLE WITHOUT
 THE WRITTEN PERMISSION
 OF VITAL WAVE DESIGN CO.
 IS PROHIBITED

CUSTOMER: ALL WEATHER COMPANIES

ADDRESS:

PROJECT: TONY'S DELI

ADDRESS: 1700 CITY PLAZA DR SUITE 100 SPRING, TX 77389

SAVED AS: Tony's Deli Spring, TX - Sign Off Drawing

ARCH DWG DATE: 03/11/2020

DATE: 3/27/2026

DRAWN BY: R.MERRITT

SCALE: DNS

REV #:

REV DATE:

REV BY:

TITLE: COVER SHEET

NOTE:
 RENDERINGS ARE PROVIDED AS A VISUAL DESIGN TOOL TO CONVEY GENERAL INTENT.
 ACTUAL CONSTRUCTION MAY VARY DUE TO FIELD CONDITIONS, MATERIAL AVAILABILITY,
 AND FABRICATION METHODS.



DRAWN BY:



PROPRIETARY AND CONFIDENTIAL
 INFORMATION CONTAINED
 IN THIS DRAWING IS THE
 SOLE PROPERTY OF VITAL WAVE
 DESIGN CO. ANY
 REPRODUCTION IN PART
 OR A WHOLE WITHOUT
 THE WRITTEN PERMISSION
 OF VITAL WAVE DESIGN CO.
 IS PROHIBITED

CUSTOMER: ALL WEATHER COMPANIES

ADDRESS:

PROJECT: TONY'S DELI

ADDRESS: 1700 CITY PLAZA DR SUITE 100 SPRING, TX 77389

SAVED AS: Tony's Deli Spring, TX - Sign Off Drawing

ARCH DWG DATE: 03/11/2020

DATE: 3/27/2026

DRAWN BY: R.MERRITT

SCALE: DNS

REV #:

REV DATE:

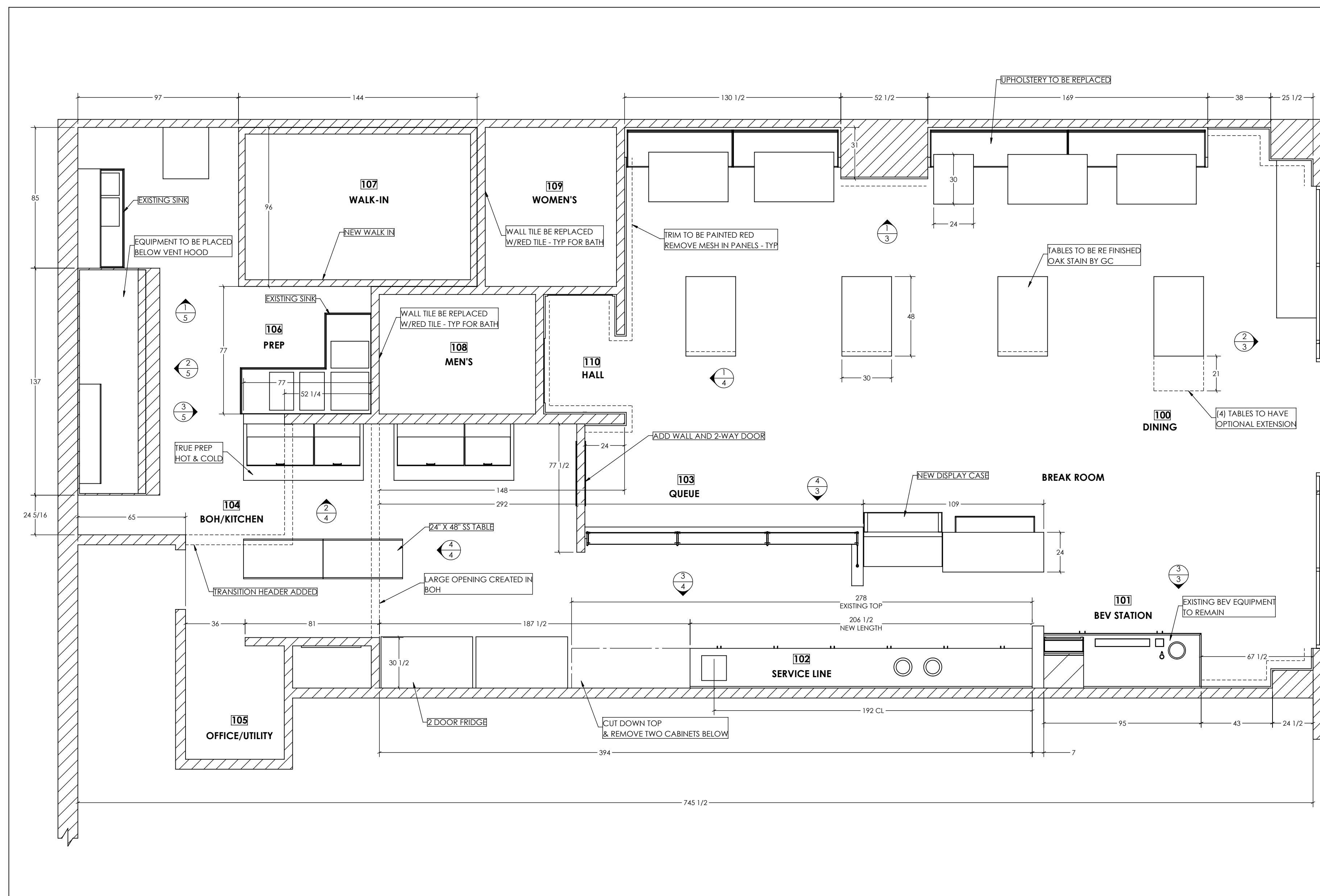
REV BY:

TITLE: RENDERERS

NOTE: DESIGN SPECIFICATIONS FOR THIS DRAWING IS SUBJECT
 TO CHANGE WITHOUT NOTICE. ALL DIMENSIONS ARE NOMINAL.



PROPRIETARY AND CONFIDENTIAL
THE INFORMATION CONTAINED
IN THIS DRAWING IS THE
SOLE PROPERTY OF VITAL WAVE
DESIGN CO. ANY
REPRODUCTION IN PART
OR A WHOLE WITHOUT
THE WRITTEN PERMISSION
OF VITAL WAVE DESIGN CO.
IS PROHIBITED



1 PLAN - MAIN CASEWORK LAYOUT - (ARCH REF: 01 / i1.00)
SCALE: DNS

NOTE: DESIGN SPECIFICATIONS FOR THIS DRAWING IS SUBJECT
TO CHANGE WITHOUT NOTICE. ALL DIMENSIONS ARE NOMINAL.

CUSTOMER: ALL WEATHER COMPANIES

ADDRESS:

PROJECT: TONY'S DELI

ADDRESS: 1700 CITY PLAZA DR SUITE 100 SPRING, TX 77389

SAVED AS: Tony's Deli Spring, TX - Sign Off Drawing

ARCH DWG DATE: 03/11/2020

DATE: 3/27/2026

DRAWN BY: R.MERRITT

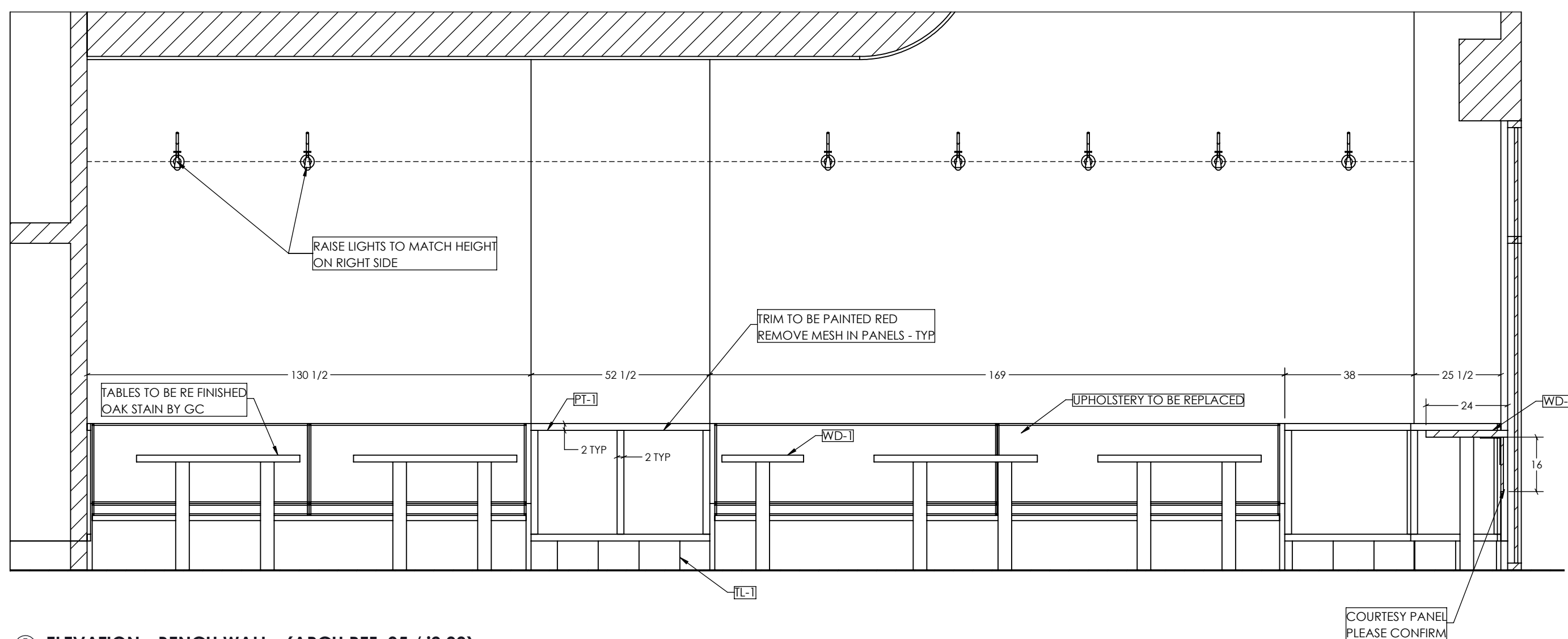
SCALE: DNS

REV #:

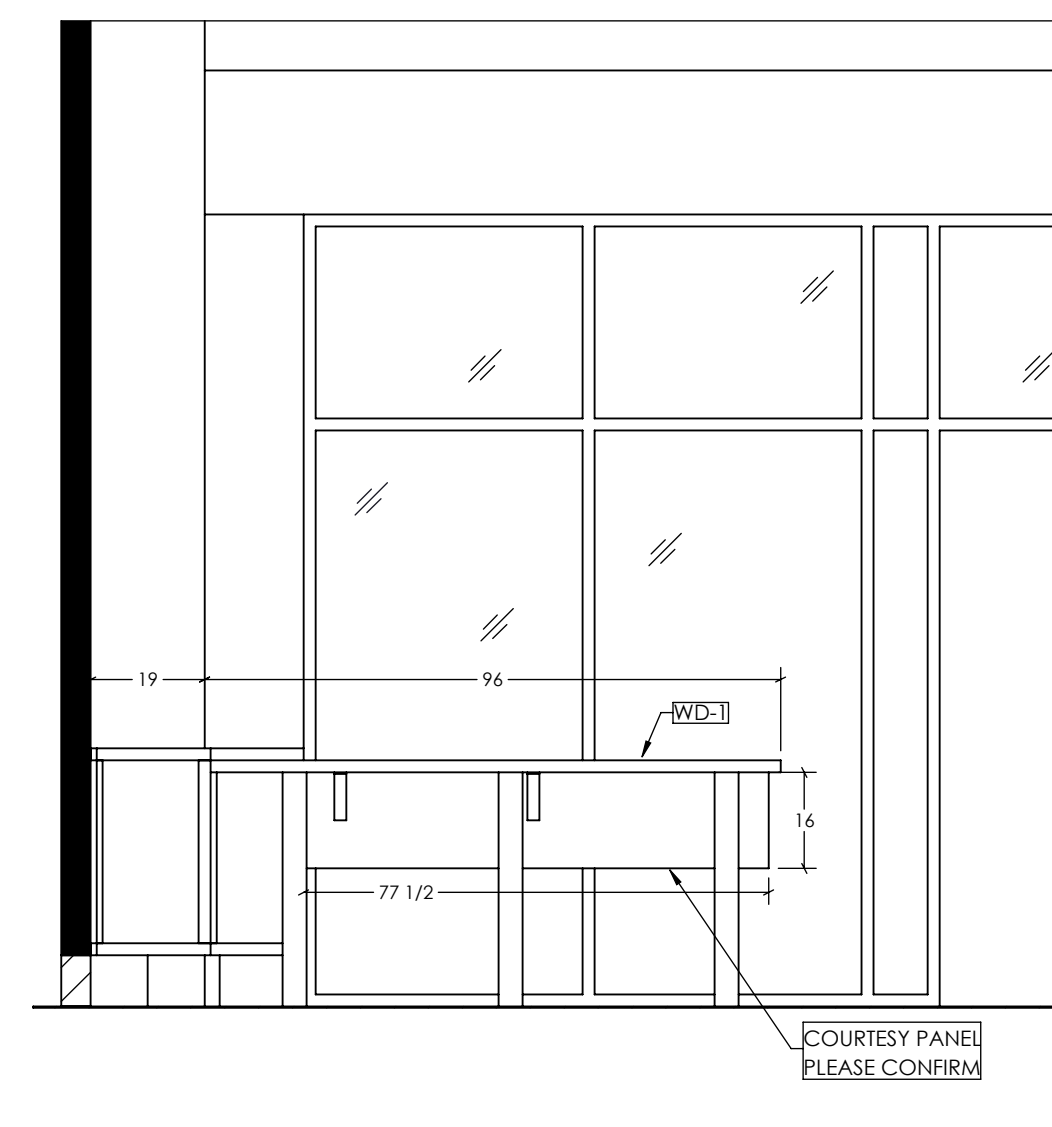
REV DATE:

REV BY:

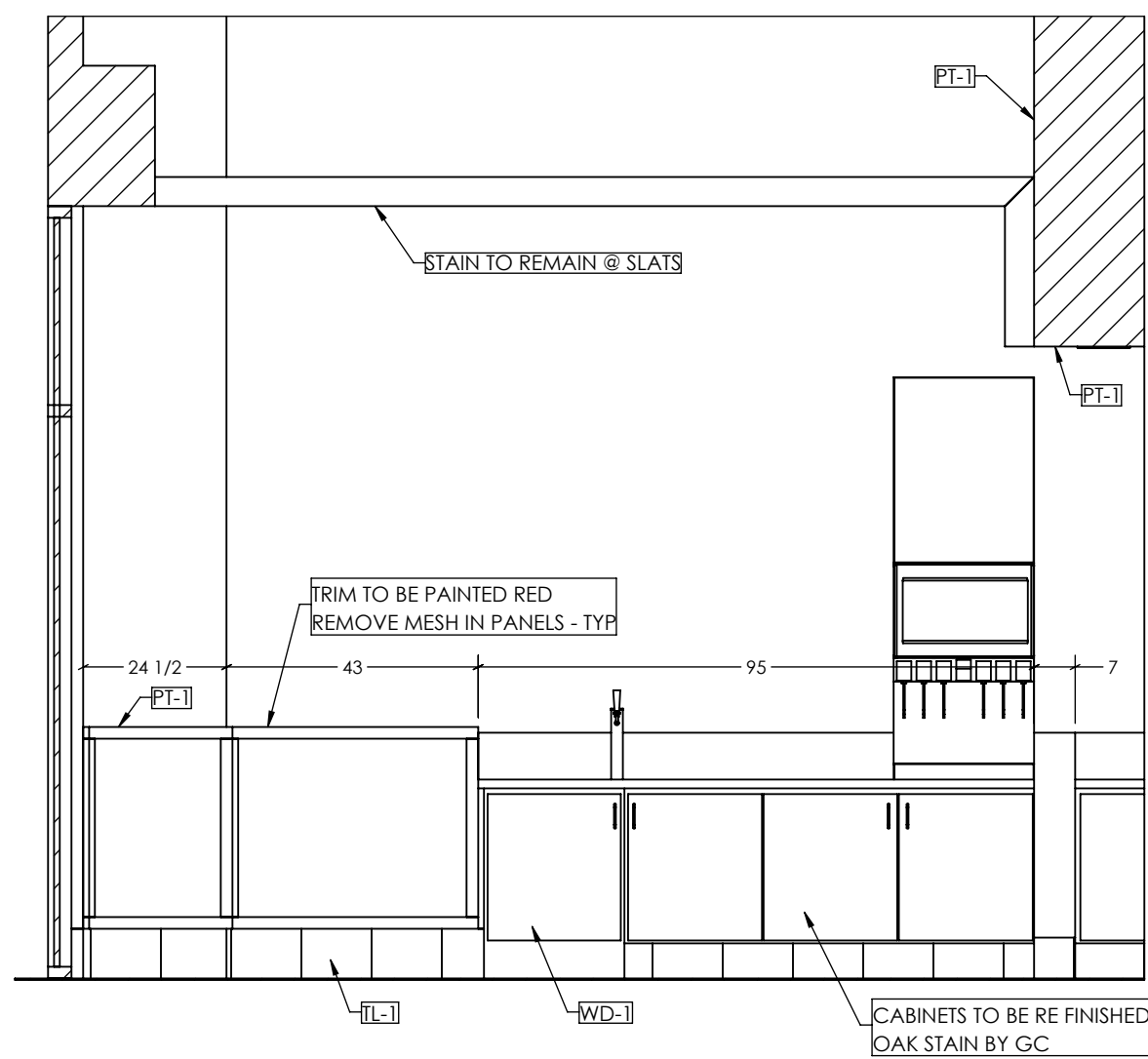
TITLE: CASEWORK PLAN



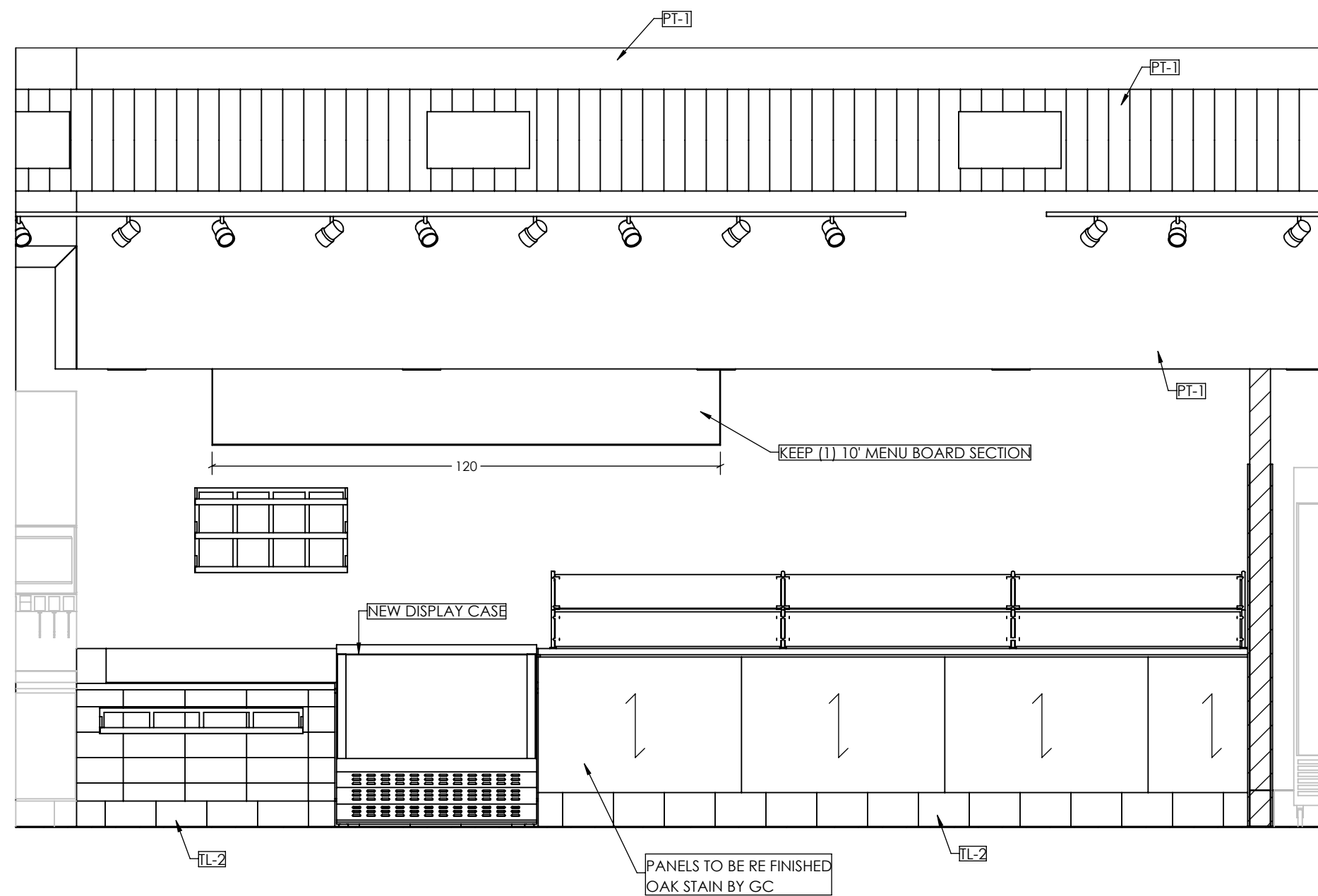
① ELEVATION - BENCH WALL - (ARCH REF: 05 / i2.00)
SCALE: 3/8" = 1'



② ELEVATION - TABLE @ ENTRY - (ARCH REF: 04 / i2.00)
SCALE: 3/8" = 1'



③ ELEVATION - BEVERAGE STATION - (ARCH REF: 01 / i2.00)
SCALE: 3/8" = 1'



④ ELEVATION - FRONTBAR CUSTOMER SIDE - (ARCH REF: 01 / i2.00)
SCALE: 3/8" = 1'

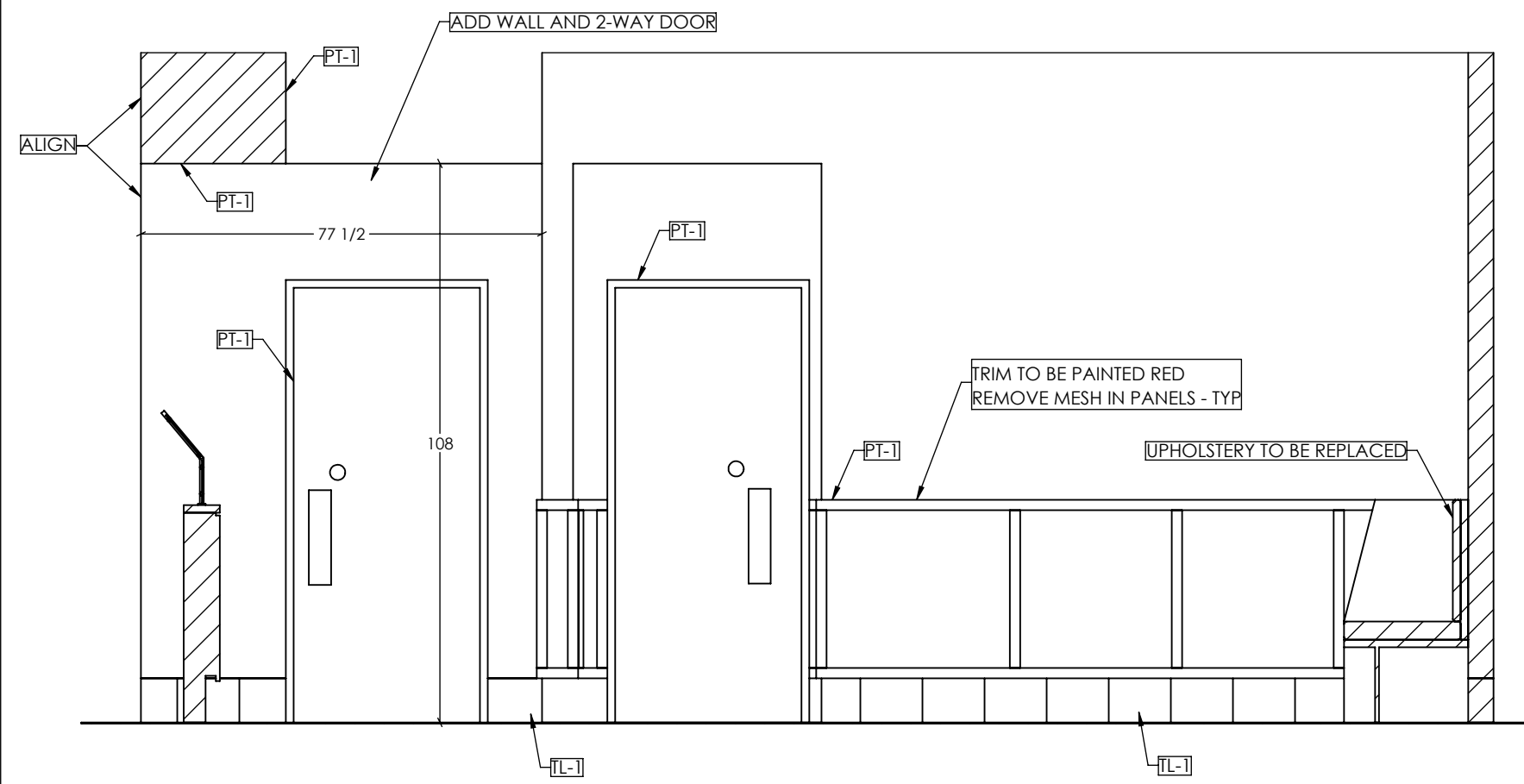
NOTE: DESIGN SPECIFICATIONS FOR THIS DRAWING IS SUBJECT TO CHANGE WITHOUT NOTICE. ALL DIMENSIONS ARE NOMINAL.



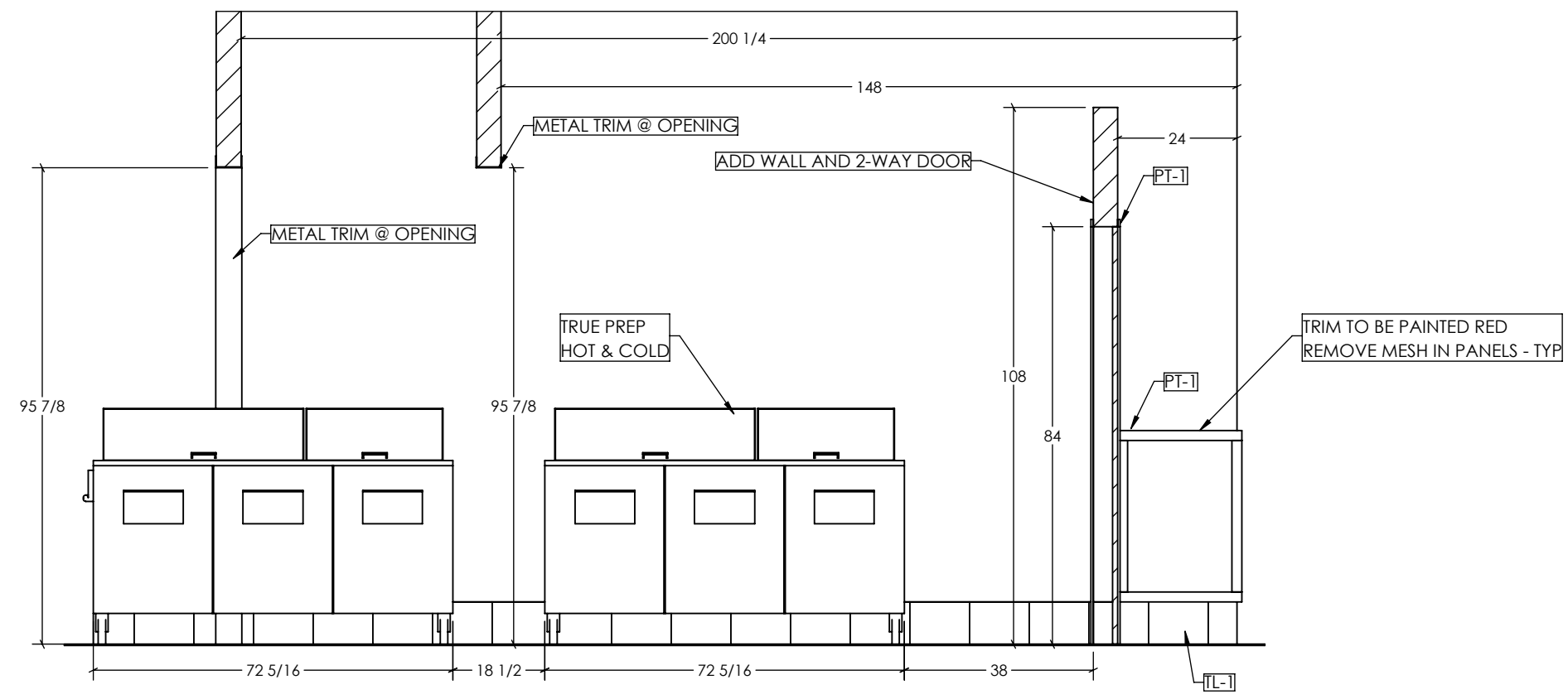
PROPRIETARY AND CONFIDENTIAL
THE INFORMATION CONTAINED
IN THIS DRAWING IS THE
SOLE PROPERTY OF VITAL WAVE
DESIGN CO. ANY
REPRODUCTION IN PART
OR A WHOLE WITHOUT
THE WRITTEN PERMISSION
OF VITAL WAVE DESIGN CO.
IS PROHIBITED

CUSTOMER: ALL WEATHER COMPANIES
ADDRESS:
PROJECT: TONY'S DELI
ADDRESS: 1700 CITY PLAZA DR SUITE 100 SPRING, TX 77389
SAVED AS: Tony's Deli Spring, TX - Sign Off Drawing

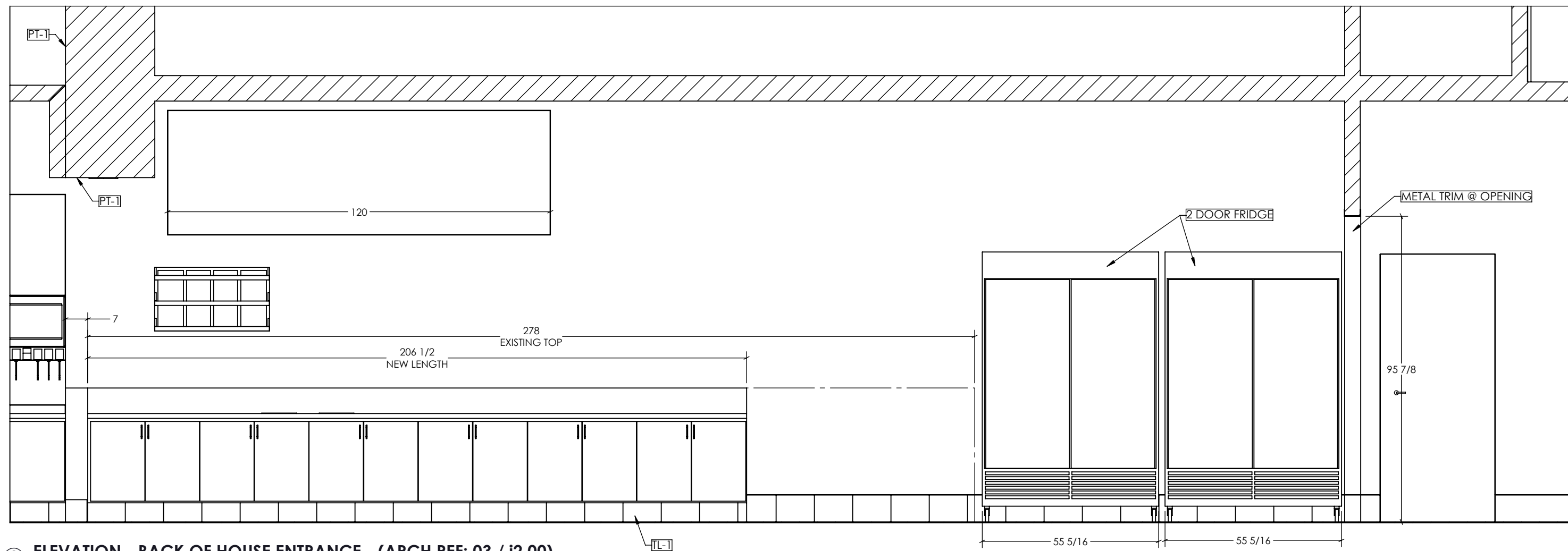
ARCH DWG DATE: 03/11/2020
DATE: 3/27/2026
DRAWN BY: R.MERRITT
SCALE: DNS
REV #:
REV DATE:
REV BY:
TITLE: ELEVATIONS



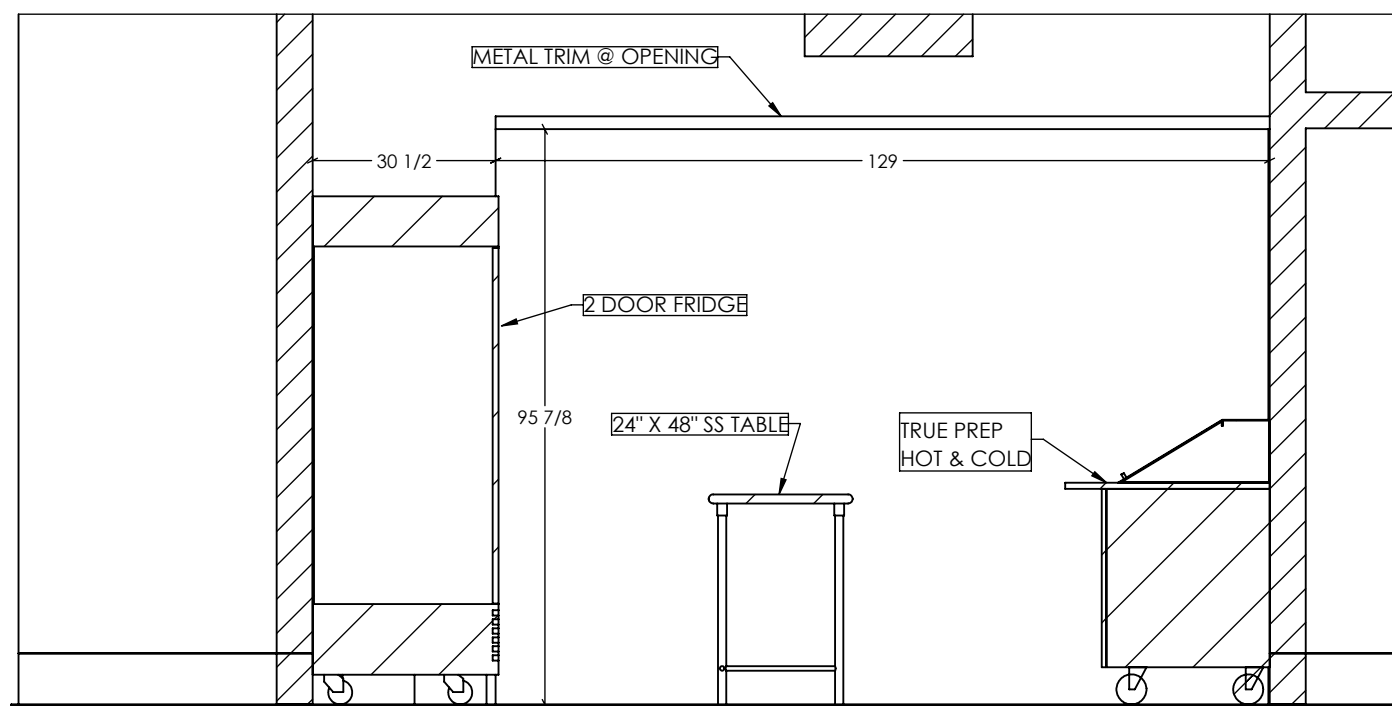
1 ELEVATION - BACK OF HOUSE ENTRANCE - (ARCH REF: 03 / i2.00)
SCALE: 3/8" = 1'



2 ELEVATION - BACK OF HOUSE HOT & COLD PREP - (ARCH REF: NA)
SCALE: 3/8" = 1'



3 ELEVATION - BACK OF HOUSE ENTRANCE - (ARCH REF: 03 / i2.00)
SCALE: 3/8" = 1'



4 ELEVATION - BACK OF HOUSE OPENING - (ARCH REF: NA)
SCALE: 3/8" = 1'

NOTE: DESIGN SPECIFICATIONS FOR THIS DRAWING IS SUBJECT TO CHANGE WITHOUT NOTICE. ALL DIMENSIONS ARE NOMINAL.

DRAWN BY:



PROPRIETARY AND CONFIDENTIAL
THE INFORMATION CONTAINED
IN THIS DRAWING IS THE
SOLE PROPERTY OF VITAL WAVE
DESIGN CO. ANY
REPRODUCTION IN PART
OR A WHOLE WITHOUT
THE WRITTEN PERMISSION
OF VITAL WAVE DESIGN CO.
IS PROHIBITED

CUSTOMER: ALL WEATHER COMPANIES

ADDRESS:

PROJECT: TONY'S DELI

ADDRESS: 1700 CITY PLAZA DR SUITE 100 SPRING, TX 77389

SAVED AS: Tony's Deli Spring, TX - Sign Off Drawing

ARCH DWG DATE: 03/11/2020

DATE: 3/27/2026

DRAWN BY: R.MERRITT

SCALE: DNS

REV #:

REV DATE:

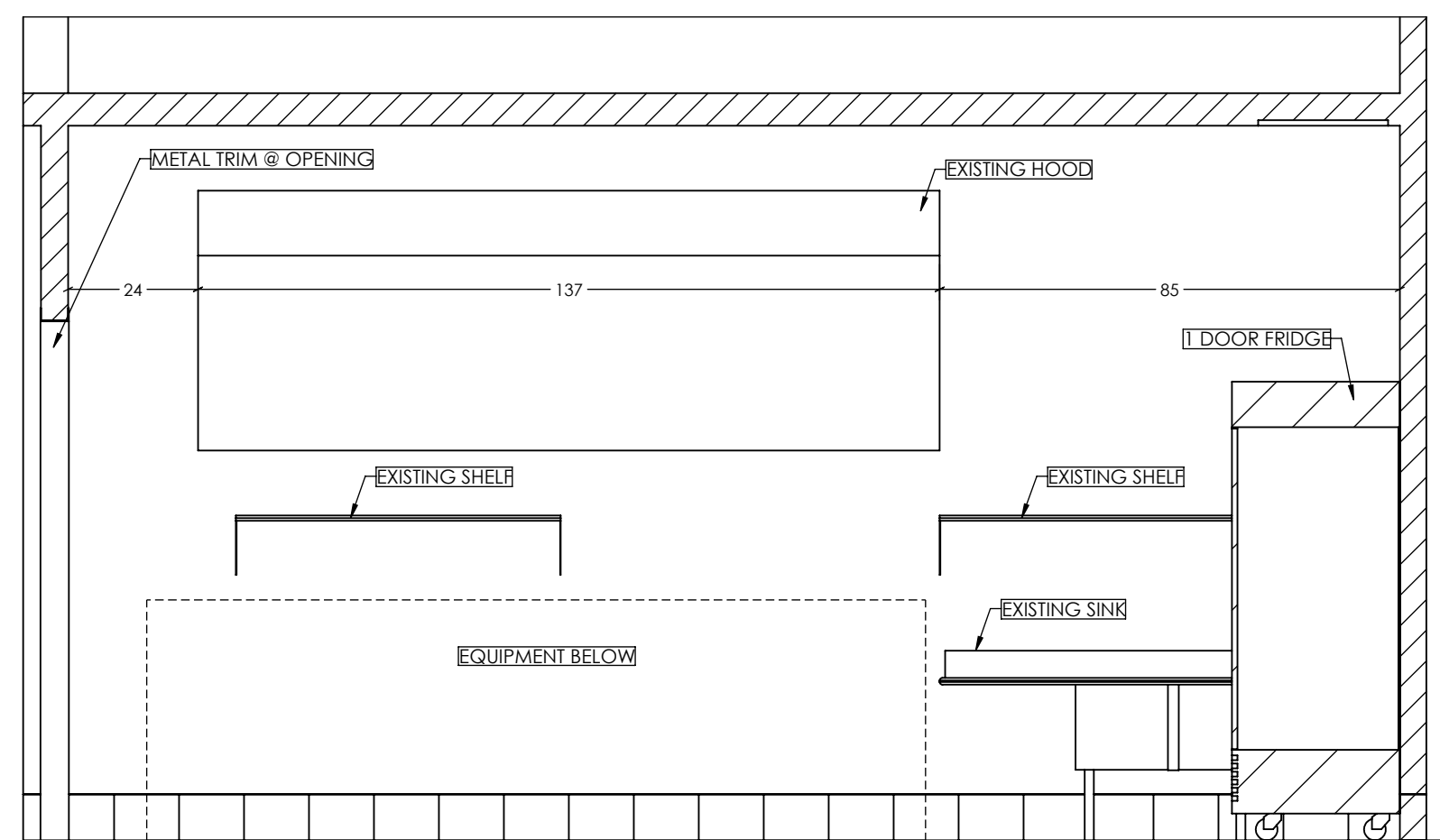
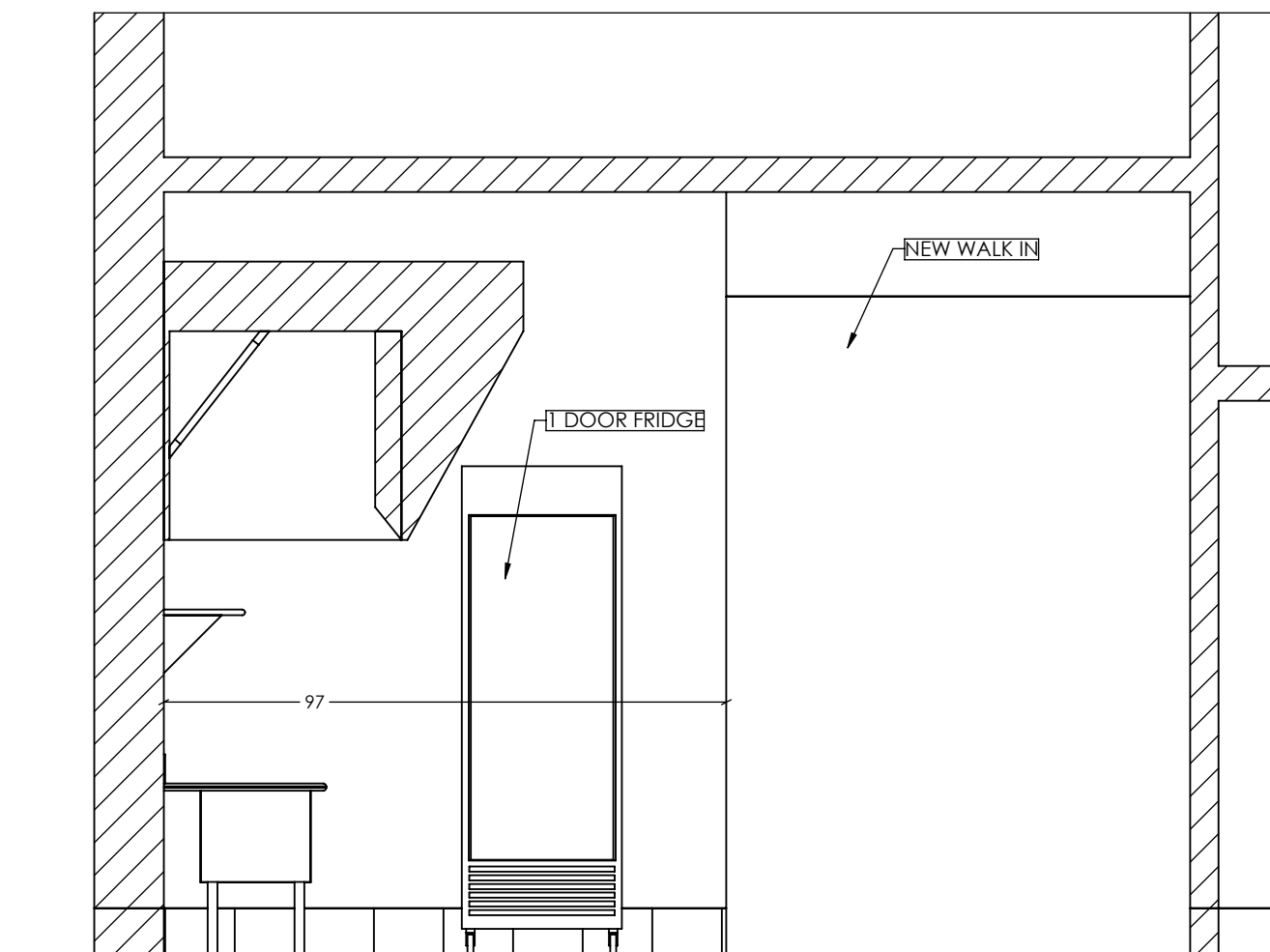
REV BY:

TITLE: ELEVATIONS - 2

DRAWN BY:

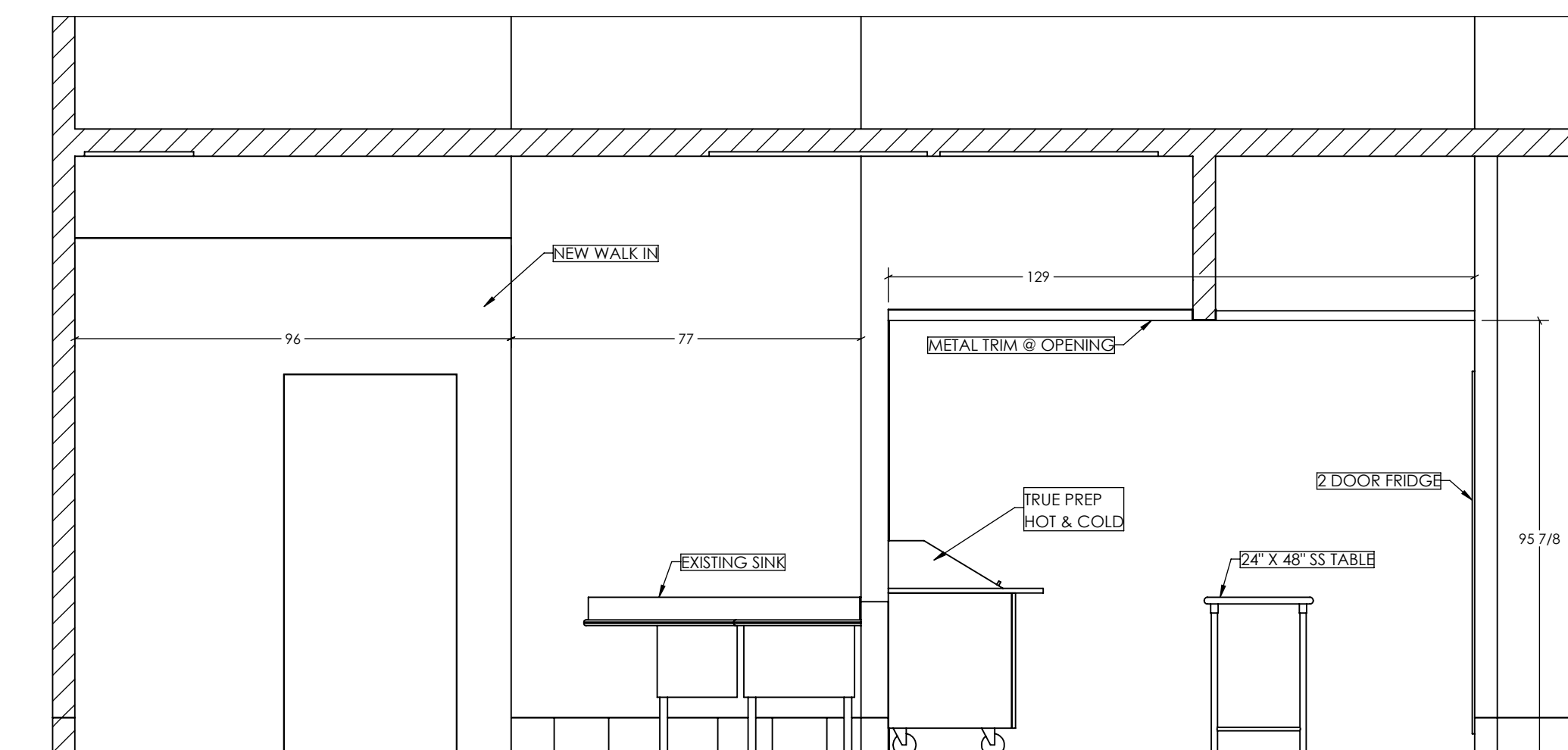


PROPRIETARY AND CONFIDENTIAL
THE INFORMATION CONTAINED
IN THIS DRAWING IS THE
SOLE PROPERTY OF VITAL WAVE
DESIGN CO. ANY
REPRODUCTION IN PART
OR A WHOLE WITHOUT
THE WRITTEN PERMISSION
OF VITAL WAVE DESIGN CO.
IS PROHIBITED



1 ELEVATION - BACK OF HOUSE - WALK IN / 2 SINK - (ARCH REF: NA)
SCALE: 3/8" = 1'

2 ELEVATION - BACK OF HOUSE - VENT HOOD - (ARCH REF: NA)
SCALE: 3/8" = 1'



3 ELEVATION - BACK OF HOUSE - WALK IN / 4 SINK - (ARCH REF: NA)
SCALE: 3/8" = 1'

NOTE: DESIGN SPECIFICATIONS FOR THIS DRAWING IS SUBJECT
TO CHANGE WITHOUT NOTICE. ALL DIMENSIONS ARE NOMINAL.

CUSTOMER: ALL WEATHER COMPANIES

ADDRESS:

PROJECT: TONY'S DELI

ADDRESS: 1700 CITY PLAZA DR SUITE 100 SPRING, TX 77389

SAVED AS: Tony's Deli Spring, TX - Sign Off Drawing

ARCH DWG DATE: 03/11/2020

DATE: 3/27/2026

DRAWN BY: R.MERRITT

SCALE: DNS

REV #:

REV DATE:

REV BY:

TITLE: ELEVATIONS - 3