

# RIVERSIDE MEDICAL OFFICE - SUITE 380 RIVERSIDE, CA

4510 BROCKTON AVE  
RIVERSIDE, CA 92501  
RIVERSIDE COUNTY

## CONSTRUCTION MANAGER:

ALEXANDER CAMPBELL  
LINCOLN PROPERTY COMPANY  
P: 702-241-2329  
E: ACAMPBELL@LPC.COM

## GENERAL CONTRACTOR:

STEPHEN MILANO  
MILANO GROUP INC  
P: 949-456-0746  
E: STEPHEN@MILANOGROUPGC.COM

## MILLWORK MFG:

AARON CLARK  
CABINET OUTSOURCE  
P: 714-671-7720  
E: AARON@CABINETOUTSOURCE.COM

DESIGN APPROVAL	
APPROVED	
APPROVED AS NOTED	
REVISE RESUBMIT	
DESIGN/CONSTRUCTION SIGN ABOVE	DATE

DRAWN BY:



PROPRIETARY AND CONFIDENTIAL  
THE INFORMATION CONTAINED  
IN THIS DRAWING IS THE  
SOLE PROPERTY OF VITAL  
WAVE DESIGN CO. ANY  
REPRODUCTION IN PART  
OR A WHOLE WITHOUT  
THE WRITTEN PERMISSION  
OF VITAL WAVE DESIGN CO.  
IS PROHIBITED

## FINISH SCHEDULE

PL1	PLAM - WILSONART "MAPLE PB CHESTNUT" TIMBERGRAIN FINISH
CT1	SS - MSI QUARTZ "ALABASTER WHITE"
CT2	PLAM - WILSONART "GREY MESH" FINE VELVET FINISH

## REVISIONS

REV #	REV. DATE	REVISED BY:	DESCRIPTION
A	01/22/2026	R.MERRITT	A-1 UPDATED WALL DIMS BASED ON FIELD DIMENSIONS A-2 MOVED VANITY IN ROOM 313 TO OPPOSITE WALL
B	02/02/20206	R.MERRITT	B-1 DEPTH OF LOW WALL AT RECEPTION DESK/COUNTERS REDUCED TO ALLOW FOR REQUIRED CLEARANCE B-2 ADD END PANEL TO RECEPDIION DESK AREA
C	02/04/2026	R.MERRITT	C-1 LOWERED FULL HEIGHT CAB AND ADDED SCRIBE ABOVE

## CASEWORK SPECIFICATIONS:

**GRADE:** WI PREMIUM GRADE OR EQUIVALENT

**PLASTIC LAMINATE COUNTERTOPS:** POSTFORM LAMINATE ON 3/4" MDF, RADIUS @ ANY EXPOSED COUNTERTOP CORNER

**CABINET EXTERIORS:** PLASTIC LAMINATE PER FINISH SCHEDULE ON WHITE MELAMINE W/ PARTICLE BOARD CORE

**CABINET INTERIORS:** PLASTIC LAMINATE PER FINISH SCHEDULE ON WHITE MELAMINE W/ PARTICLE BOARD CORE

**DRAWERS:** ACCURIDE - 3832 FULL EXTENSION SIDE MOUNT 100LBS.

**ADJUSTABLE SHELVES:** PLASTIC LAMINATE PER FINISH SCHEDULE ON WHITE MELAMINE W/ PARTICLE BOARD CORE

**DOORS:** PL-1 ON EXTERIORS PER FINISH SCHEDULE ON PARTICLE BOARD CORE, WHITE MELAMINE INTERIOR

**EDGEBANDING:** 0.5MM PVC EDGEBANDING TO MATCH PLASTIC LAMINATE WHERE REQUIRED

**TOEKICKS:** INTEGRATED TO THE CABINET

**SHELF ADJUSTMENT:** 32MM LINE BORE ZINC SHELF SUPPORT

NOTE: DESIGN SPECIFICATIONS FOR THIS DRAWING IS SUBJECT TO CHANGE WITHOUT NOTICE. ALL DIMENSIONS ARE NOMINAL.

**CUSTOMER:** MILANO GC  
**ADDRESS:**  
**PROJECT:** RIVERSIDE MEDICAL OFFICE - SUITE 380  
**ADDRESS:** 4510 BROCKTON AVE RIVERSIDE, CA 92501  
**SAVED AS:** Riverside Medical Office Riverside, CA - Sign Off Drawing

ARCH DWG DATE: 09/05/2025

DATE: 12/2/2025

DRAWN BY: R.MERRITT

SCALE: DNS

REV #: C

REV DATE: 02/04/2026

REV BY: R.MERRITT

TITLE: COVER SHEET

PAGE : 1 OF 10

DRAWN BY:



PROPRIETARY AND CONFIDENTIAL  
THE INFORMATION CONTAINED  
IN THIS DRAWING IS THE  
SOLE PROPERTY OF VITAL  
WAVE DESIGN CO. ANY  
REPRODUCTION IN PART  
OR A WHOLE WITHOUT  
THE WRITTEN PERMISSION  
OF VITAL WAVE DESIGN CO.  
IS PROHIBITED

ITEM#	QTY	DESCRIPTION	FINISH CODE	ITEM#	QTY	DESCRIPTION	FINISH CODE	ITEM#	QTY	DESCRIPTION	FINISH CODE
<b>RECEPTION - 302</b>				<b>EXAM 1 - 308</b>				<b>EXAM 5 - 317</b>			
A	1	Reception High Counter - 10" x 58" - 3 Finished Ends	CT1	A9	1	Exam Room Counter - 24" x 53" - 2 Finished Ends	CT2	A.10	1	Exam Room Counter - 24" x 62" - 2 Finished Ends	CT2
A.1	1	Reception Counter - 24" x 58" - 2 Finished Ends	CT1	C	1	30"W Upper, 1 No finished ends - LOCKED	PL1	C	2	30"W Upper, 1 Finished Left, 1 No finished ends - LOCKED	PL1
A.2	1	Reception Counter - 28" x 139 1/2" - 1 Finished End	CT1	C.1	1	Upper Filler	PL1	C.1	1	Upper Filler	PL1
A.3	1	Reception Pass Thru Counter - 10" x 41-3/4" - 4 Finished Ends	CT1	C.6	1	21"W Upper, 1 Finished Left - LOCKED	PL1	D.1	1	Base Filler	PL1
A.4	1	Reception Pass Thru Counter - 10" x 57-7/8" - 4 Finished Ends	CT1	D.1	1	Base Filler	PL1	D.3	1	36"W ADA Cab, 1 No Finish	PL1
A.5	1	Reception Counter - 24" x 93" - 2 Finished Ends	CT1	D.3	1	36"W ADA Cab, 1 No Finish	PL1	D.6	1	24" Sink Base Cab, 1 Finished Left	PL1
B	7	Countertop Bracket		D.5	1	15" Sink Base Cab, 1 Finished Left	PL1				
C	3	30"W Upper, 3 No finished ends - LOCKED	PL1							<b>EXAM 6 - 315</b>	
C.1	2	Upper Filler	PL1			<b>EXAM 2 - 309</b>		A.10	1	Exam Room Counter - 24" x 62" - 2 Finished Ends	CT2
D.7	3	18" 3 Drawer Base Cab, 3 Finished Left & Right	PL1	A9	1	Exam Room Counter - 24" x 53" - 2 Finished Ends	CT2	C	2	30"W Upper, 1 Finished Left, 1 No finished ends - LOCKED	PL1
D.8	1	Finished End Panel	PL1	C	1	30"W Upper, 1 No finished ends - LOCKED	PL1	C.1	1	Upper Filler	PL1
				C.1	1	Upper Filler	PL1	D.1	1	Base Filler	PL1
				C.6	1	21"W Upper, 1 Finished Right - LOCKED	PL1	D.3	1	36"W ADA Cab, 1 No Finish	PL1
		<b>TOILET - 305</b>		D.1	1	Base Filler	PL1	D.6	1	24" Sink Base Cab, 1 Finished Left	PL1
A.6	1	Vanity Counter - 24" x 31-1/2" - 2 Finished Ends	CT1	D.3	1	36"W ADA Cab, 1 No Finish	PL1				
D	1	30"W ADA Cab, 1 Finished Left	PL1	D.5	1	15" Sink Base Cab, 1 Finished Right	PL1			<b>TECH DESK - 316</b>	
D.1	1	Base Filler	PL1					A.11	1	Work Room Counter - 24" x 63" / 81"- 3 Finished Ends	CT2
								B	4	Countertop Bracket	
		<b>WORK ROOM - 306</b>				<b>EXAM 3 - 310</b>		C	2	30"W Upper, 2 No finished ends - LOCKED	PL1
A.7	1	Work Room Counter - 24" x 63" / 83-3/4" - 3 Finished Ends	CT2	A9	1	Exam Room Counter - 24" x 53" - 2 Finished Ends	CT2	C.1	1	Upper Filler	PL1
B	4	Countertop Bracket		C	1	30"W Upper, 1 No finished ends - LOCKED	PL1	C.3	1	19"W Upper, 1 No Finish	PL1
C.2	2	28"W Upper, 1 Finish Left, 1 Finish Right - LOCKED	PL1	C.1	1	Upper Filler	PL1	D.7	1	18" 3 Drawer Base Cab, 1 Finished Left & Right	PL1
D.2	1	36"W Tall Storage Cab, 1 Finished Left & Right - LOCKED	PL1	C.6	1	21"W Upper, 1 Finished Left - LOCKED	PL1				
D.7	1	18" 3 Drawer Base Cab, 1 Finished Left & Right	PL1	D.1	1	Base Filler	PL1			<b>MISC</b>	
				D.3	1	36"W ADA Cab, 1 No Finish	PL1	E	1	FINISH KIT	
				D.5	1	15" Sink Base Cab, 1 Finished Left	PL1				
		<b>BREAK ROOM - 311</b>									
A.8	1	Break Room Counter - 24" x 58" - 2 Finished Ends	CT2								
C.1	2	Upper Filler	PL1			<b>EXAM 4 - 314</b>					
C.3	1	21"W Upper, 1 No Finish	PL1	A.10	1	Exam Room Counter - 24" x 62" - 2 Finished Ends	CT2				
C.4	1	36"W Upper, 1 Right Finish	PL1	C	2	30"W Upper, 1 Finished Left, 1 No finished ends - LOCKED	PL1				
C.5	1	36"W x 24"H Upper, 1 No Finish	PL1	C.1	1	Upper Filler	PL1				
D.1	1	Base Filler	PL1	D.1	1	Base Filler	PL1				
D.3	1	36"W ADA Cab, 1 No Finish	PL1	D.3	1	36"W ADA Cab, 1 No Finish	PL1				
D.4	1	21" Sink Base Cab, 1 Finished Right	PL1	D.6	1	24" Sink Base Cab, 1 Finished Left	PL1				
		<b>TOILET - 313</b>									
A.6	1	Vanity Counter - 24" x 31-1/2" - 2 Finished Ends	CT1								
D	1	30"W ADA Cab, 1 Finished Left	PL1								
D.1	1	Base Filler	PL1								

**CUSTOMER:** MILANO GC

**ADDRESS:**

**PROJECT:** RIVERSIDE MEDICAL OFFICE - SUITE 380

**ADDRESS:** 4510 BROCKTON AVE RIVERSIDE, CA 92501

**SAVED AS:** Riverside Medical Office Riverside, CA - Sign Off Drawing

ARCH DWG DATE: 09/05/2025

DATE: 12/2/2025

DRAWN BY: R.MERRITT

SCALE: DNS

REV #: C

REV DATE: 02/04/2026

REV BY: R.MERRITT

TITLE: ITEM LIST

**PAGE : 2 OF 10**

NOTE: DESIGN SPECIFICATIONS FOR THIS DRAWING IS SUBJECT TO CHANGE WITHOUT NOTICE. ALL DIMENSIONS ARE NOMINAL.

DRAWN BY:



PROPRIETARY AND CONFIDENTIAL  
THE INFORMATION CONTAINED  
IN THIS DRAWING IS THE  
SOLE PROPERTY OF VITAL  
WAVE DESIGN CO. ANY  
REPRODUCTION IN PART  
OR A WHOLE WITHOUT  
THE WRITTEN PERMISSION  
OF VITAL WAVE DESIGN CO.  
IS PROHIBITED



**CUSTOMER:** MILANO GC

**ADDRESS:**

**PROJECT:** RIVERSIDE MEDICAL OFFICE - SUITE 380

**ADDRESS:** 4510 BROCKTON AVE RIVERSIDE, CA 92501

**SAVED AS:** Riverside Medical Office Riverside, CA - Sign Off Drawing

ARCH DWG DATE: 09/05/2025

DATE: 12/2/2025

DRAWN BY: R.MERRITT

SCALE: DNS

REV #: C

REV DATE: 02/04/2026

REV BY: R.MERRITT

TITLE: CASEWORK PLAN

**PAGE : 3 OF 10**

**1 PLAN - MAIN CASEWORK LAYOUT - (ARCH REF: 1/ A2.10)**  
SCALE: 3/16" = 1'

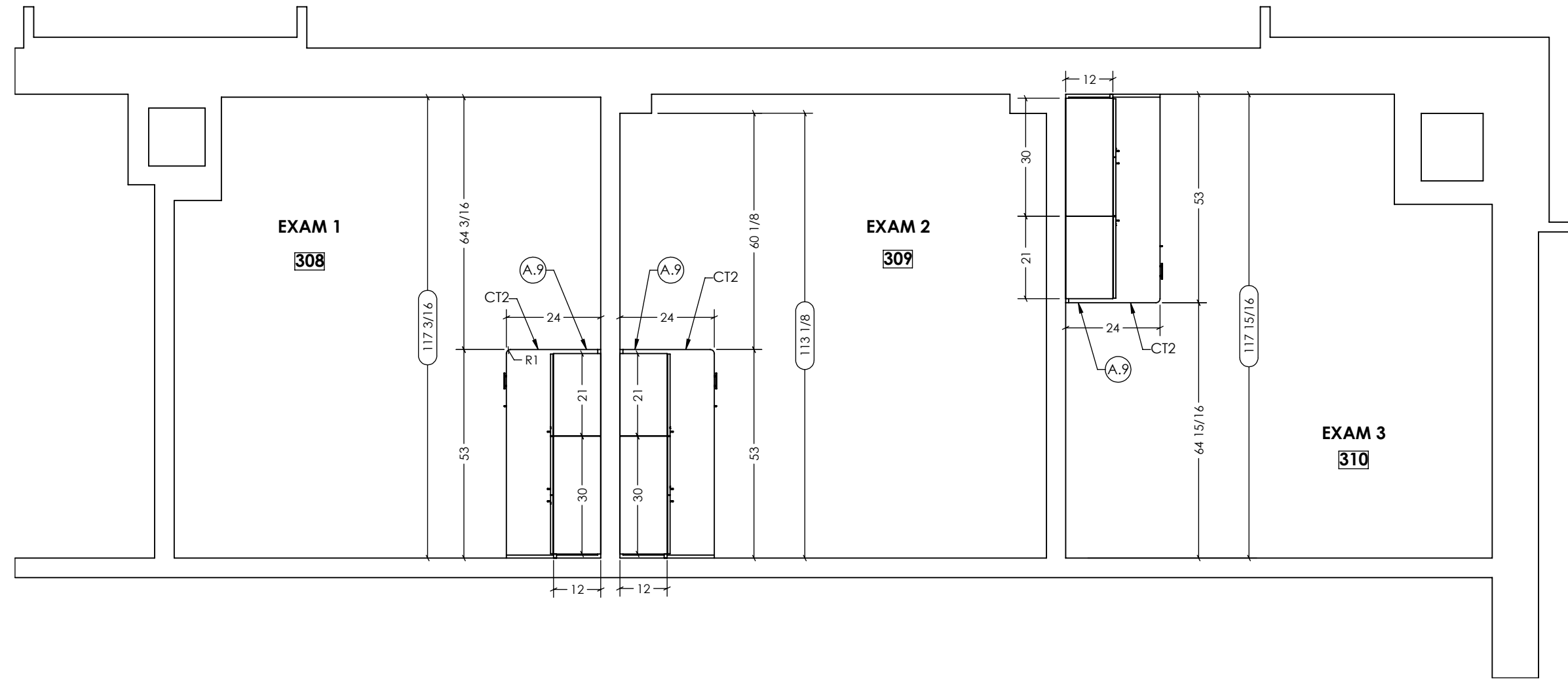
NOTE: DESIGN SPECIFICATIONS FOR THIS DRAWING IS SUBJECT TO CHANGE WITHOUT NOTICE. ALL DIMENSIONS ARE NOMINAL.



DRAWN BY:



PROPRIETARY AND CONFIDENTIAL  
THE INFORMATION CONTAINED  
IN THIS DRAWING IS THE  
SOLE PROPERTY OF VITAL  
WAVE DESIGN CO. ANY  
REPRODUCTION IN PART  
OR A WHOLE WITHOUT  
THE WRITTEN PERMISSION  
OF VITAL WAVE DESIGN CO.  
IS PROHIBITED



**1 PLAN - Q2 CASEWORK LAYOUT - (ARCH REF: 1/ A2.10)**  
SCALE: 3/8" = 1'

NOTE: DESIGN SPECIFICATIONS FOR THIS DRAWING IS SUBJECT TO CHANGE WITHOUT NOTICE. ALL DIMENSIONS ARE NOMINAL.

**CUSTOMER:** MILANO GC  
**ADDRESS:**  
**PROJECT:** RIVERSIDE MEDICAL OFFICE - SUITE 380  
**ADDRESS:** 4510 BROCKTON AVE RIVERSIDE, CA 92501  
**SAVED AS:** Riverside Medical Office Riverside, CA - Sign Off Drawing

ARCH DWG DATE: 09/05/2025

DATE: 12/2/2025

DRAWN BY: R.MERRITT

SCALE: DNS

REV #: C

REV DATE: 02/04/2026

REV BY: R.MERRITT

TITLE: CASEWORK PLAN - 3

DRAWN BY:



PROPRIETARY AND CONFIDENTIAL  
THE INFORMATION CONTAINED  
IN THIS DRAWING IS THE  
SOLE PROPERTY OF VITAL  
WAVE DESIGN CO. ANY  
REPRODUCTION IN PART  
OR A WHOLE WITHOUT  
THE WRITTEN PERMISSION  
OF VITAL WAVE DESIGN CO.  
IS PROHIBITED

CUSTOMER: MILANO GC

ADDRESS:

PROJECT: RIVERSIDE MEDICAL OFFICE - SUITE 380

ADDRESS: 4510 BROCKTON AVE RIVERSIDE, CA 92501

SAVED AS: Riverside Medical Office Riverside, CA - Sign Off Drawing

ARCH DWG DATE: 09/05/2025

DATE: 12/2/2025

DRAWN BY: R.MERRITT

SCALE: DNS

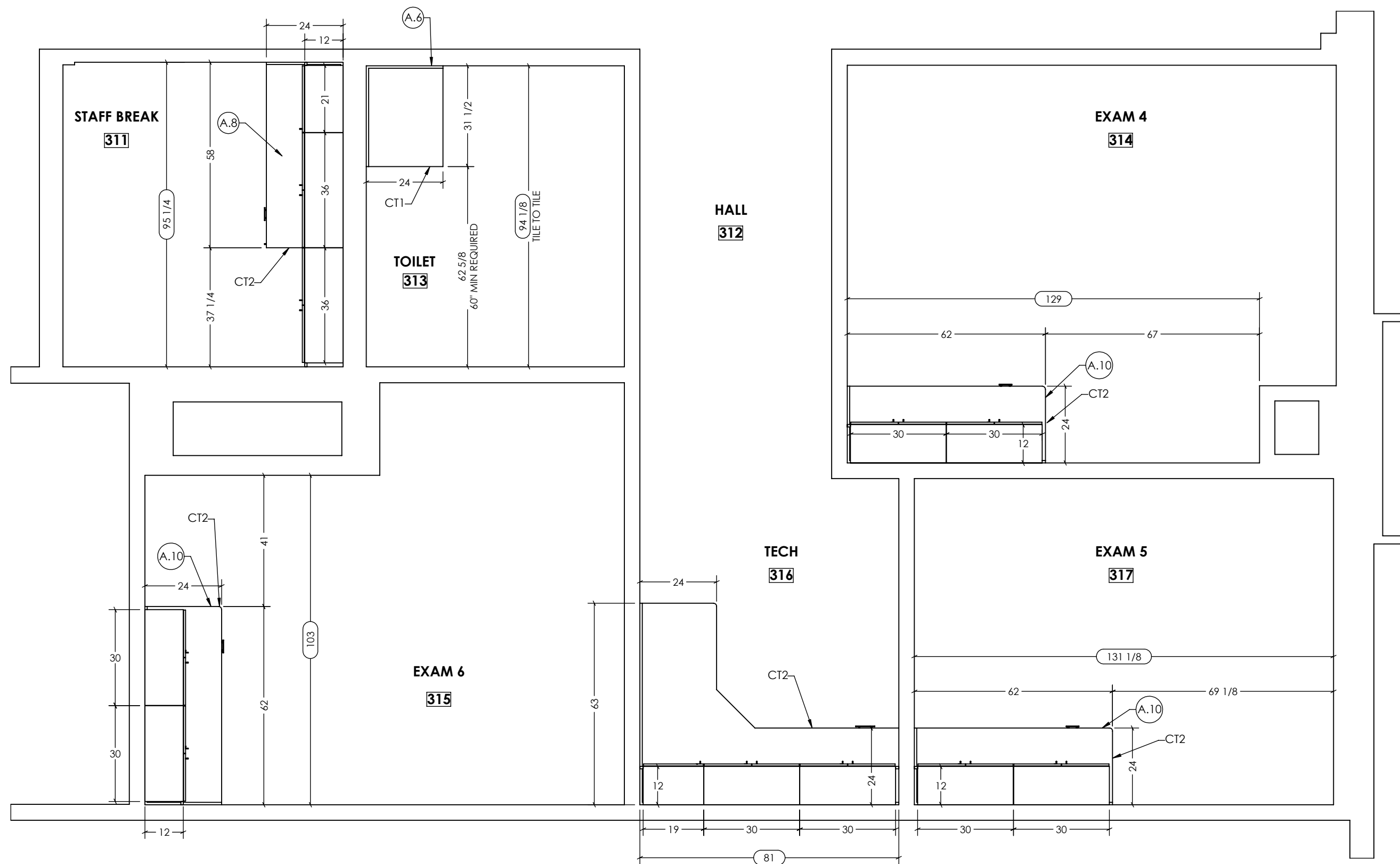
REV #: C

REV DATE: 02/04/2026

REV BY: R.MERRITT

TITLE: CASEWORK PLAN - 4

PAGE : 6 OF 10



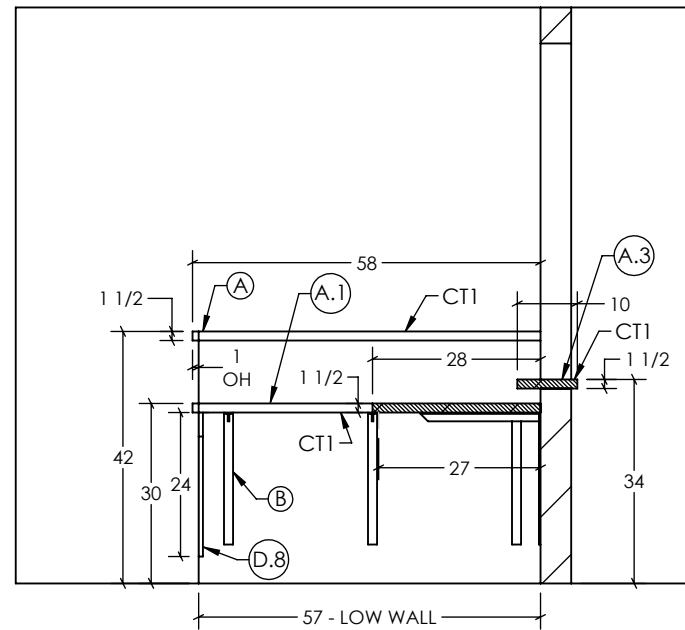
1 PLAN - Q3 CASEWORK LAYOUT - (ARCH REF: 1/ A2.10)  
SCALE: 3/8" = 1'

NOTE: DESIGN SPECIFICATIONS FOR THIS DRAWING IS SUBJECT  
TO CHANGE WITHOUT NOTICE. ALL DIMENSIONS ARE NOMINAL.

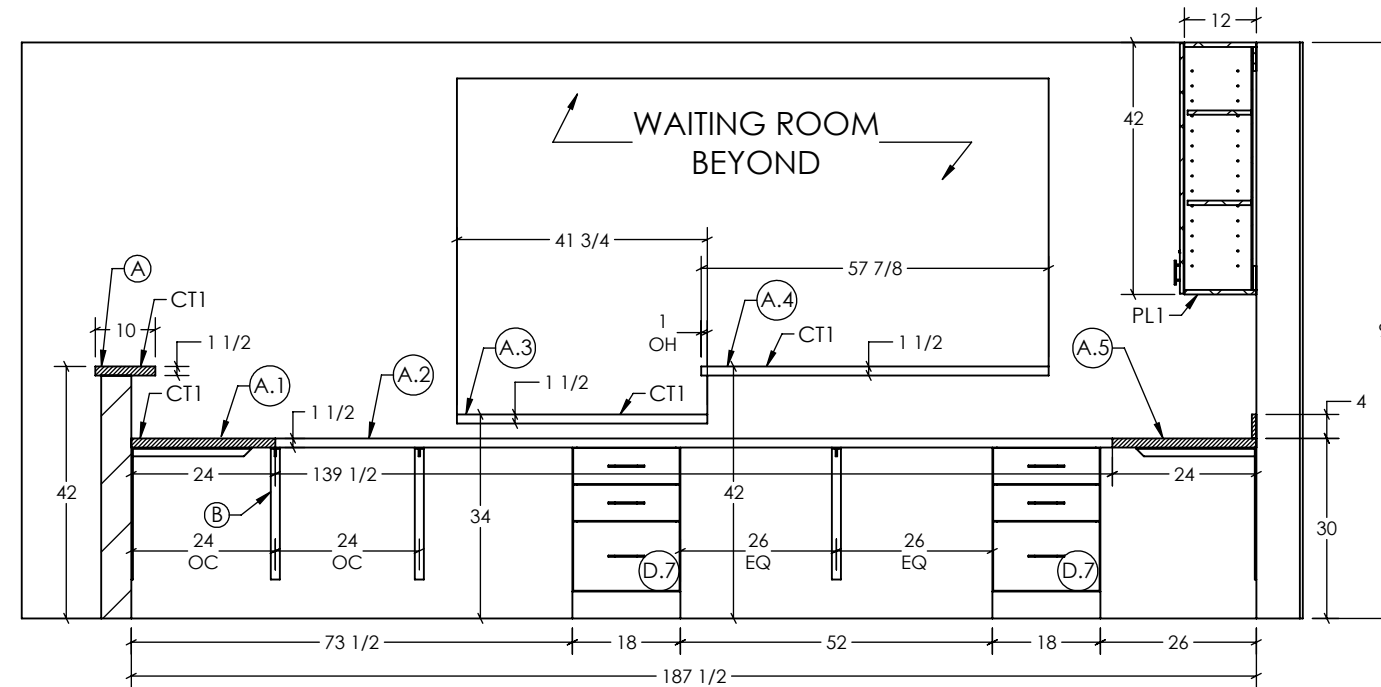
DRAWN BY:



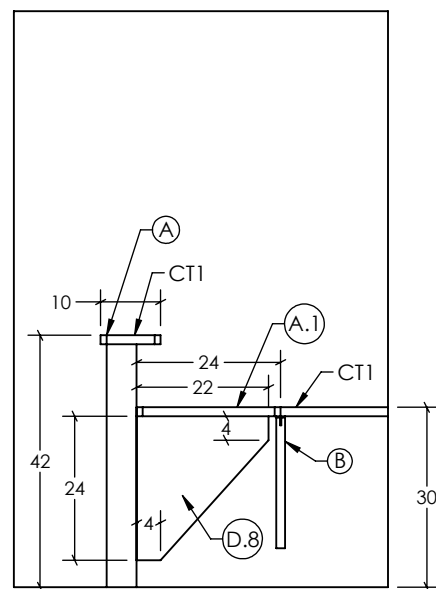
PROPRIETARY AND CONFIDENTIAL THE INFORMATION CONTAINED IN THIS DRAWING IS THE SOLE PROPERTY OF VITAL WAVE DESIGN CO. ANY REPRODUCTION IN PART OR A WHOLE WITHOUT THE WRITTEN PERMISSION OF VITAL WAVE DESIGN CO. IS PROHIBITED



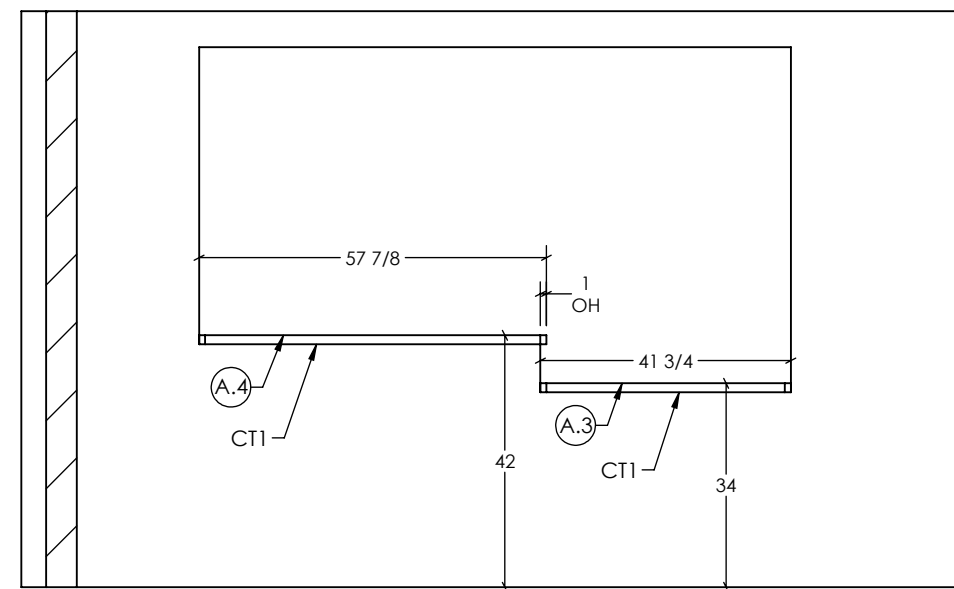
1 ELEVATION - 302 RECEPTION - EAST - (ARCH REF: 6/A2.10) SCALE: 3/8" = 1'



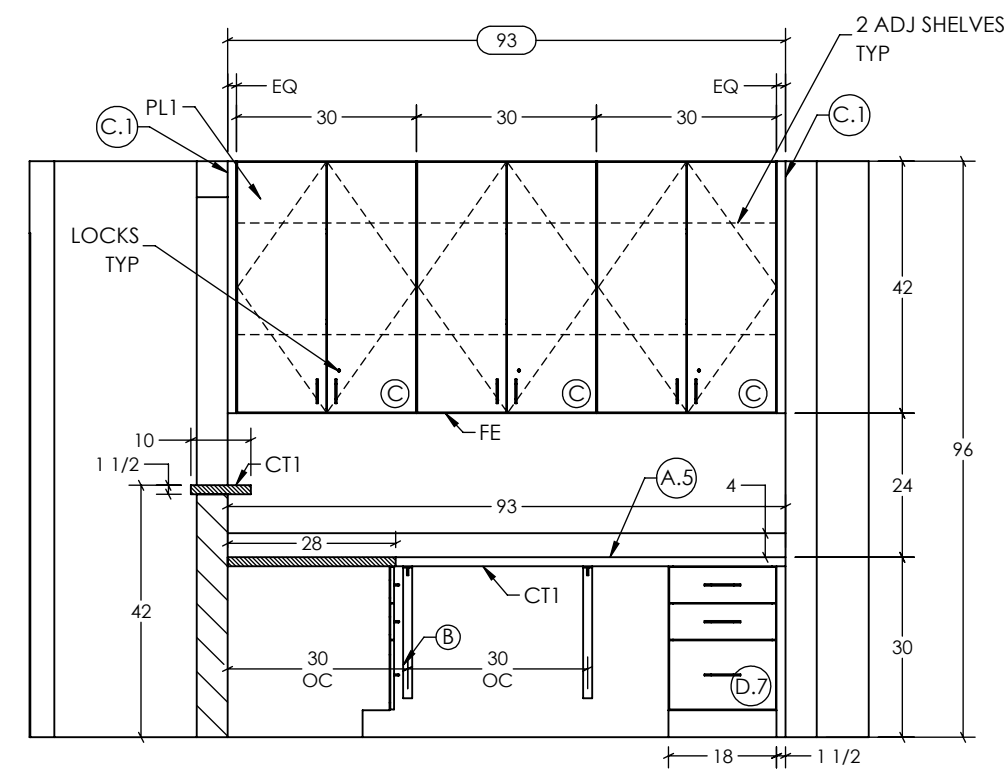
2 ELEVATION - 302 RECEPTION - SOUTH - (ARCH REF: 7/A2.10) SCALE: 3/8" = 1'



3 ELEVATION - 302 RECEPTION (ARCH REF: 7/A2.10) SCALE: 3/8" = 1'



4 ELEVATION - 301 WAITING ROOM (ARCH REF: 4/A2.10) SCALE: 3/8" = 1'



5 ELEVATION - 302 RECEPTION (ARCH REF: 8/A2.10) SCALE: 3/8" = 1'

NOTE: DESIGN SPECIFICATIONS FOR THIS DRAWING IS SUBJECT TO CHANGE WITHOUT NOTICE. ALL DIMENSIONS ARE NOMINAL.

CUSTOMER: MILANO GC  
ADDRESS:  
PROJECT: RIVERSIDE MEDICAL OFFICE - SUITE 380  
ADDRESS: 4510 BROCKTON AVE RIVERSIDE, CA 92501  
SAVED AS: Riverside Medical Office Riverside, CA - Sign Off Drawing

ARCH DWG DATE: 09/05/2025  
DATE: 12/2/2025  
DRAWN BY: R.MERRITT  
SCALE: DNS  
REV #: C  
REV DATE: 02/04/2026  
REV BY: R.MERRITT  
TITLE: ELEVATIONS

DRAWN BY:



PROPRIETARY AND CONFIDENTIAL THE INFORMATION CONTAINED IN THIS DRAWING IS THE SOLE PROPERTY OF VITAL WAVE DESIGN CO. ANY REPRODUCTION IN PART OR A WHOLE WITHOUT THE WRITTEN PERMISSION OF VITAL WAVE DESIGN CO. IS PROHIBITED

CUSTOMER: MILANO GC

ADDRESS:

PROJECT: RIVERSIDE MEDICAL OFFICE - SUITE 380

ADDRESS: 4510 BROCKTON AVE RIVERSIDE, CA 92501

SAVED AS: Riverside Medical Office Riverside, CA - Sign Off Drawing

ARCH DWG DATE: 09/05/2025

DATE: 12/2/2025

DRAWN BY: R.MERRITT

SCALE: DNS

REV #: C

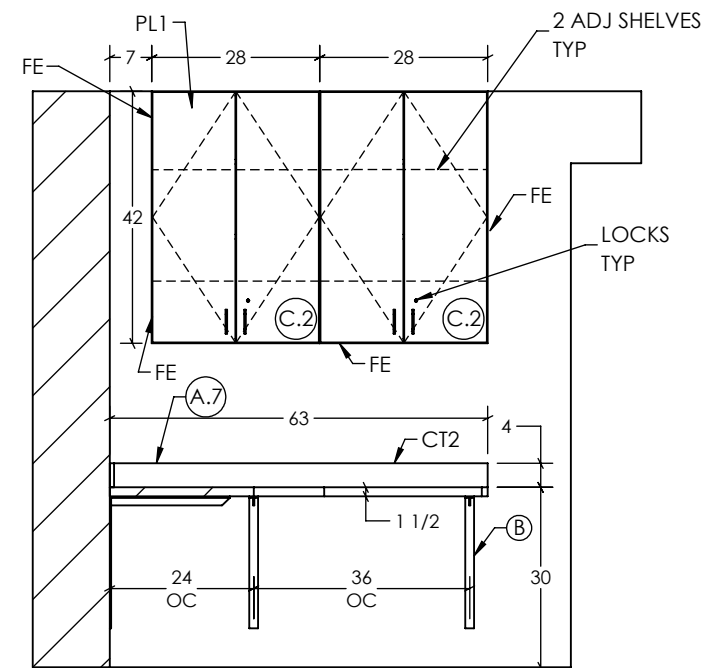
REV DATE: 02/04/2026

REV BY: R.MERRITT

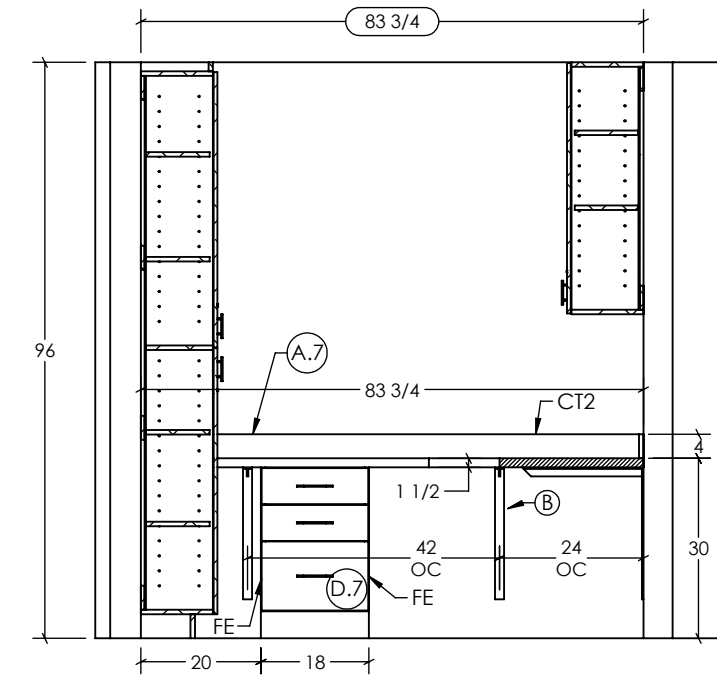
TITLE: ELEVATIONS - 2

PAGE : 8 OF 10

REMOVED FROM SCOPE

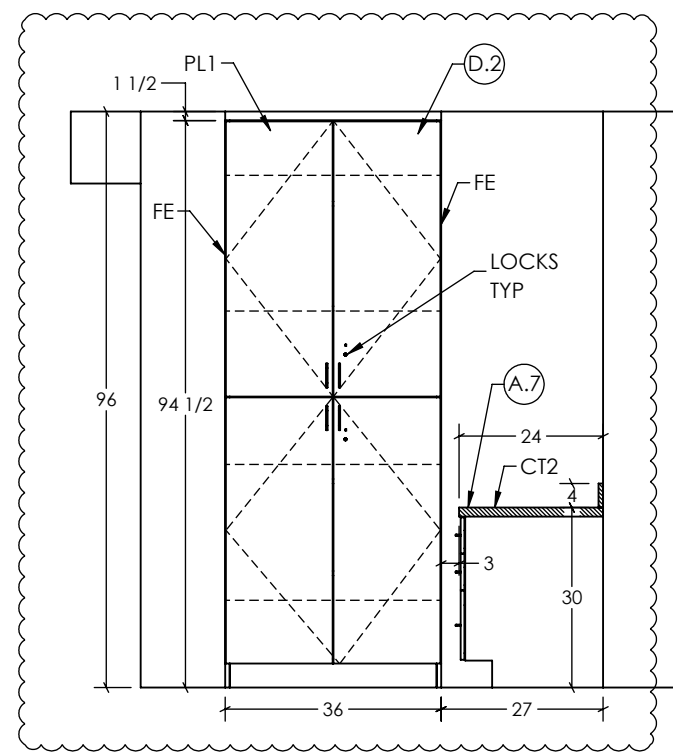


1 ELEVATION - 305 TOILET - EAST - (ARCH REF: 9/A2.10) SCALE: 3/8" = 1'

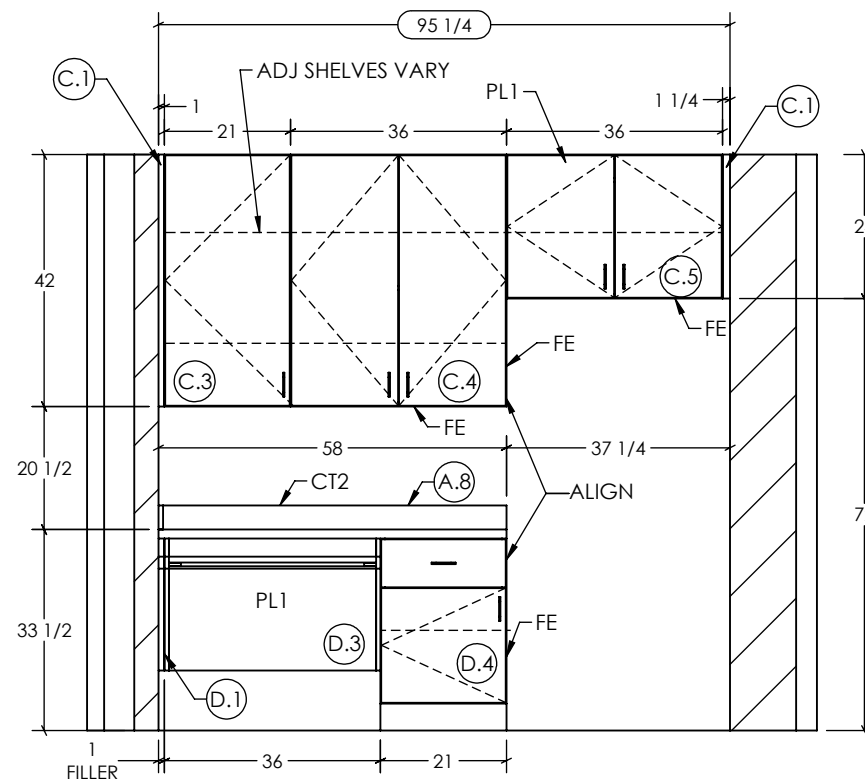


3 ELEVATION - 306 WR - NORTH - (ARCH REF: 13/A2.10) SCALE: 3/8" = 1'

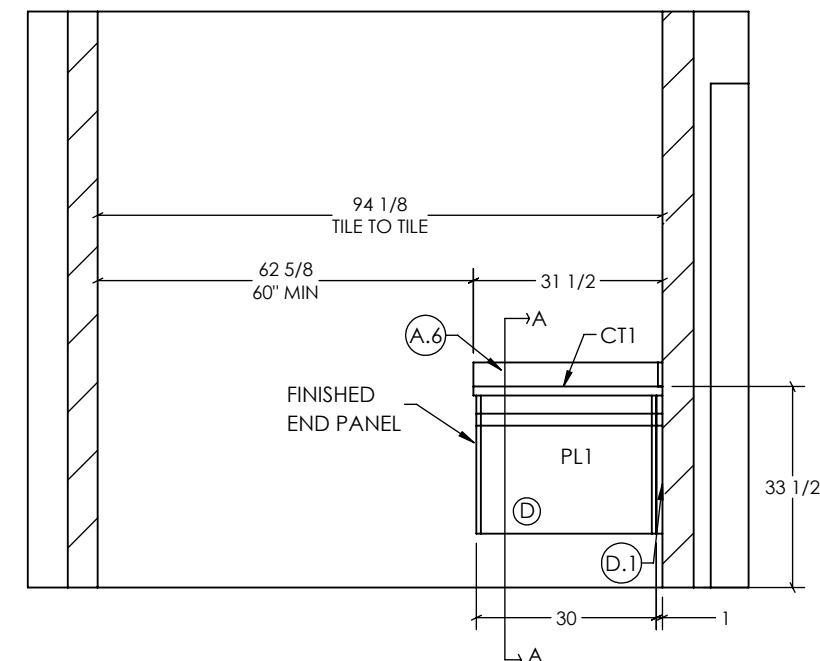
2 ELEVATION - 306 WR - EAST - (ARCH REF: 12/A2.10) SCALE: 3/8" = 1'



4 ELEVATION - 306 WR - WEST - (ARCH REF: 14/A2.10) SCALE: 3/8" = 1'



5 ELEVATION - 311 BR - EAST - (ARCH REF: 15/A2.10) SCALE: 3/8" = 1'



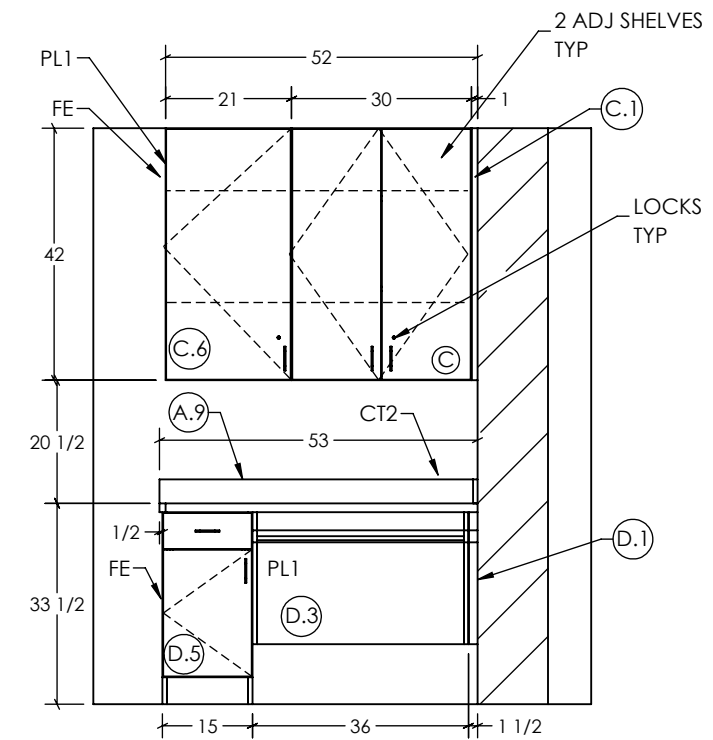
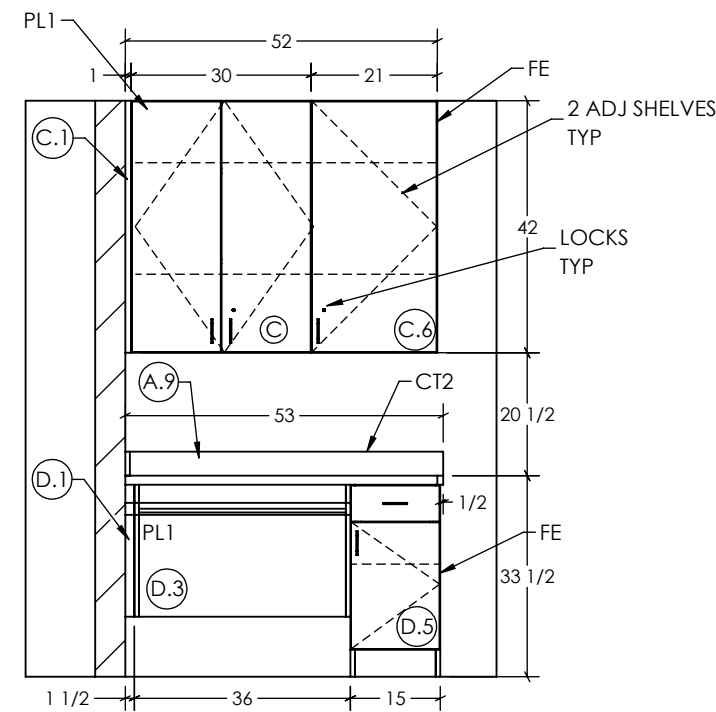
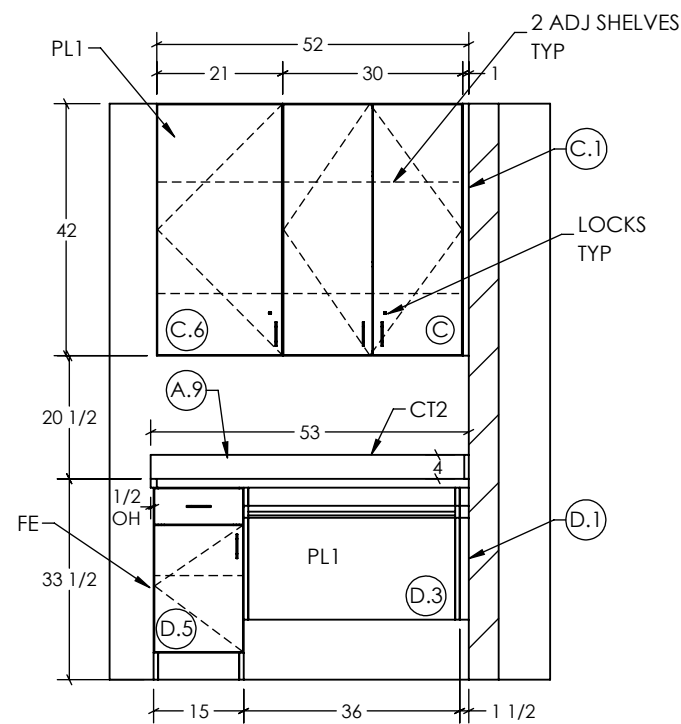
6 ELEVATION - 313 TOILET - WEST - (ARCH REF: 17/A2.10) SCALE: 3/8" = 1'

NOTE: DESIGN SPECIFICATIONS FOR THIS DRAWING IS SUBJECT TO CHANGE WITHOUT NOTICE. ALL DIMENSIONS ARE NOMINAL.

DRAWN BY:



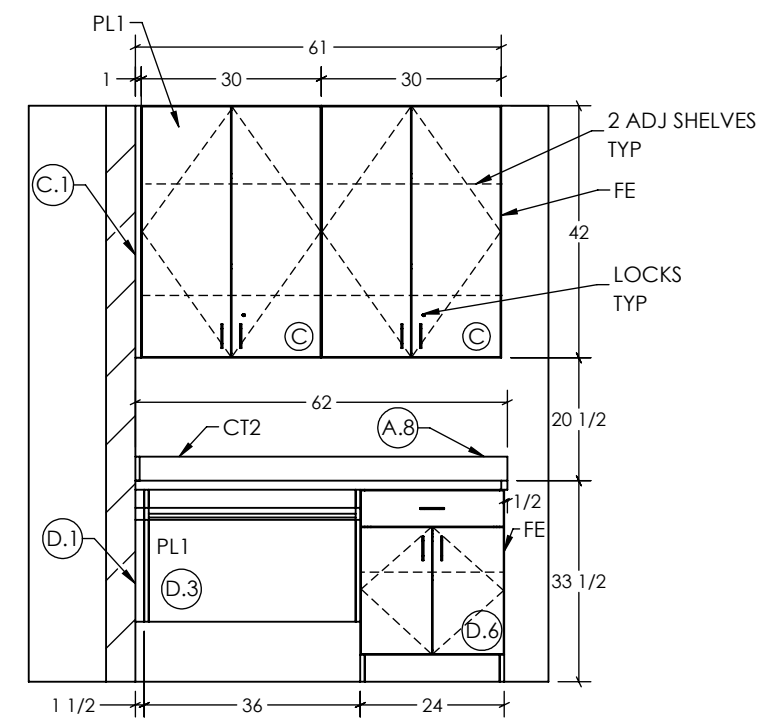
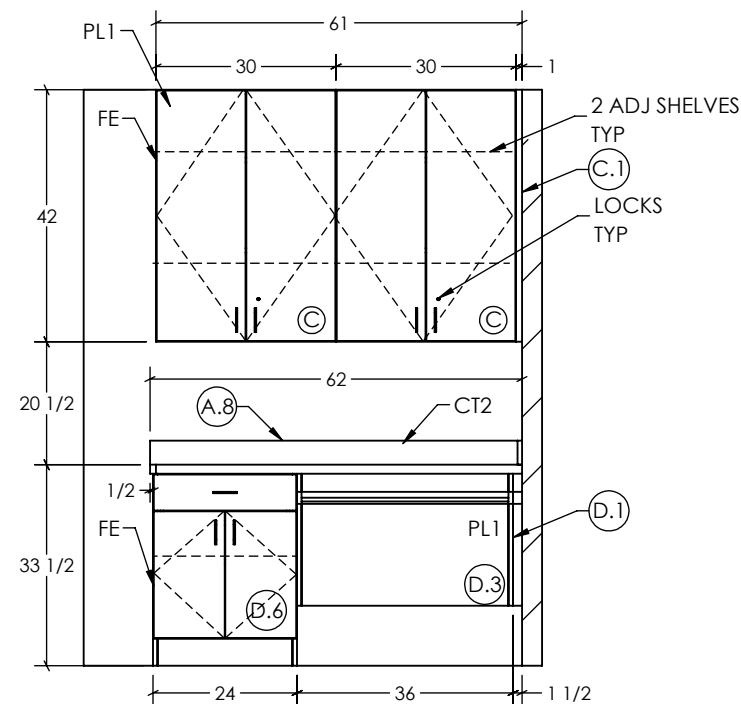
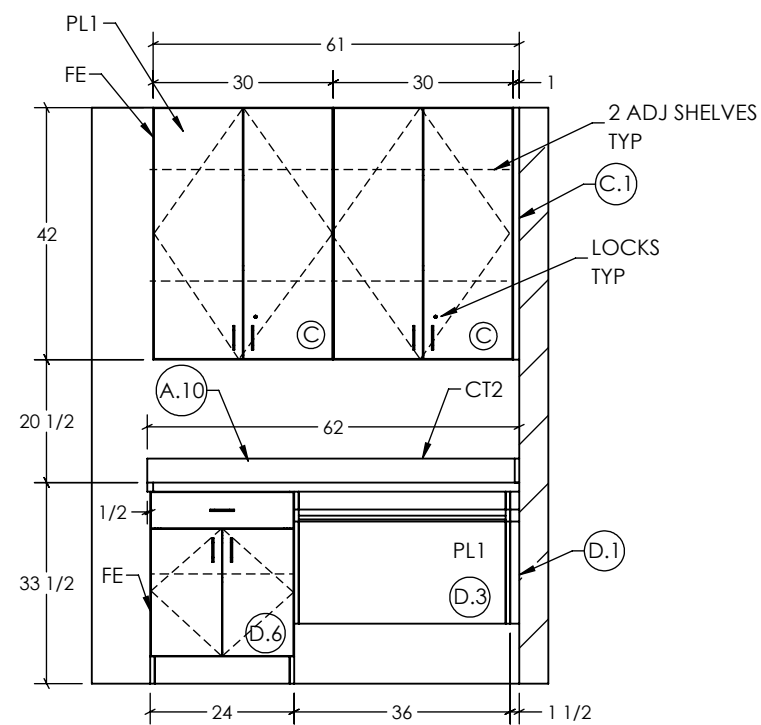
PROPRIETARY AND CONFIDENTIAL THE INFORMATION CONTAINED IN THIS DRAWING IS THE SOLE PROPERTY OF VITAL WAVE DESIGN CO. ANY REPRODUCTION IN PART OR A WHOLE WITHOUT THE WRITTEN PERMISSION OF VITAL WAVE DESIGN CO. IS PROHIBITED



① ELEVATION - 308 EXAM 1 - EAST - (ARCH REF: NA)  
SCALE: 3/8" = 1'

② ELEVATION - 309 EXAM 2 - WEST - (ARCH REF: NA)  
SCALE: 3/8" = 1'

③ ELEVATION - 310 EXAM 3 - EAST - (ARCH REF: NA)  
SCALE: 3/8" = 1'



④ ELEVATION - 314 EXAM 4 - SOUTH - (ARCH REF: 18/A2.10)  
SCALE: 3/8" = 1'

⑤ ELEVATION - 317 EXAM 5 - SOUTH - (ARCH REF: NA)  
SCALE: 3/8" = 1'

⑥ ELEVATION - 315 EXAM 6 - WEST - (ARCH REF: 20/A2.10)  
SCALE: 3/8" = 1'

NOTE: DESIGN SPECIFICATIONS FOR THIS DRAWING IS SUBJECT TO CHANGE WITHOUT NOTICE. ALL DIMENSIONS ARE NOMINAL.

CUSTOMER: MILANO GC  
ADDRESS: RIVERSIDE MEDICAL OFFICE - SUITE 380  
PROJECT: RIVERSIDE MEDICAL OFFICE - SUITE 380  
ADDRESS: 4510 BROCKTON AVE RIVERSIDE, CA 92501  
SAVED AS: Riverside Medical Office Riverside, CA - Sign Off Drawing

ARCH DWG DATE: 09/05/2025

DATE: 12/2/2025

DRAWN BY: R.MERRITT

SCALE: DNS

REV #: C

REV DATE: 02/04/2026

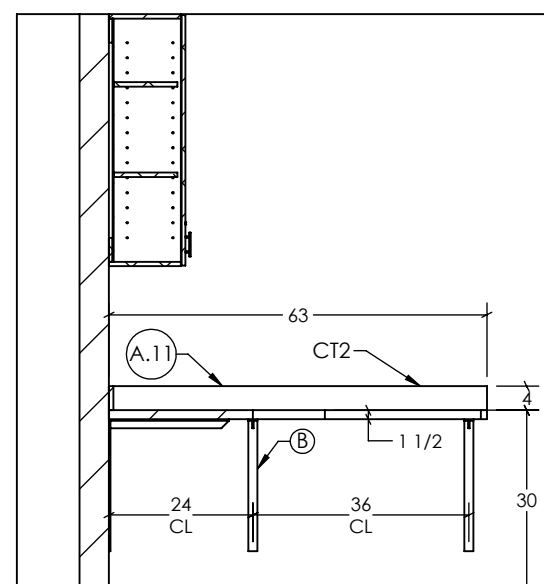
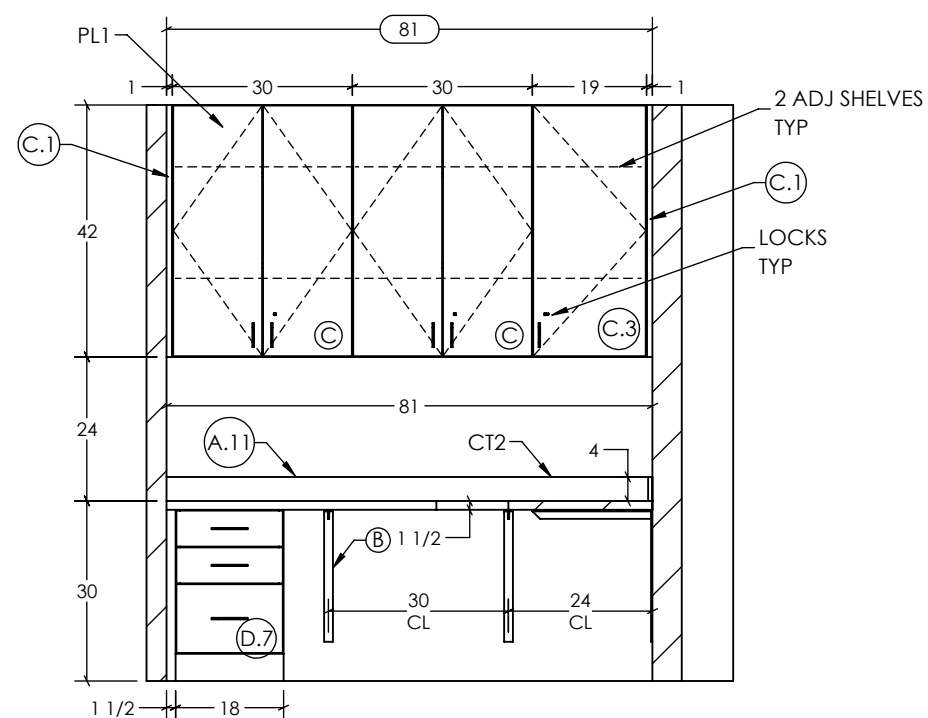
REV BY: R.MERRITT

TITLE: ELEVATIONS - 3

DRAWN BY:

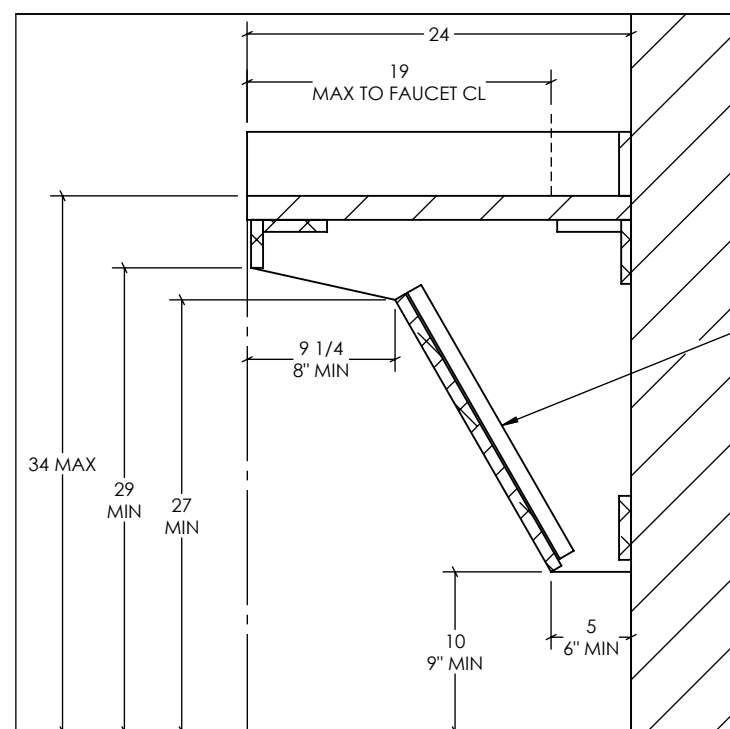


PROPRIETARY AND CONFIDENTIAL  
THE INFORMATION CONTAINED  
IN THIS DRAWING IS THE  
SOLE PROPERTY OF VITAL  
WAVE DESIGN CO. ANY  
REPRODUCTION IN PART  
OR A WHOLE WITHOUT  
THE WRITTEN PERMISSION  
OF VITAL WAVE DESIGN CO.  
IS PROHIBITED



① **ELEVATION - 316 TECH - SOUTH - (ARCH REF: 21/A2.10)**  
SCALE: 3/8" = 1'

② **ELEVATION - 316 TECH - WEST - (ARCH REF: 22/A2.10)**  
SCALE: 3/8" = 1'



MOUNT WITH Z-CLIPS  
ATTACHED TO CLEATS ON EITHER SIDE  
OF THE REMOVABLE PANEL

**A-A SECTION - ADA ANGLED CABINET - (ARCH REF: 3/A7.01)**  
SCALE: 1" = 1'

NOTE: DESIGN SPECIFICATIONS FOR THIS DRAWING IS SUBJECT  
TO CHANGE WITHOUT NOTICE. ALL DIMENSIONS ARE NOMINAL.

**CUSTOMER:** MILANO GC

**ADDRESS:**

**PROJECT:** RIVERSIDE MEDICAL OFFICE - SUITE 380

**ADDRESS:** 4510 BROCKTON AVE RIVERSIDE, CA 92501

**SAVED AS:** Riverside Medical Office Riverside, CA - Sign Off Drawing

ARCH DWG DATE: 09/05/2025

DATE: 12/2/2025

DRAWN BY: R.MERRITT

SCALE: DNS

REV #: C

REV DATE: 02/04/2026

REV BY: R.MERRITT

TITLE: ELEVATIONS - 4